

Guidelines of Implementation

EDIFACT SUBSET

EDITEC

DESADV



DESADV

Version 4.0

Table of contents

Introduction.....	3
Explanation.....	4
Instructions for usage	7
Message structure.....	8
Message structure diagram	10
Segment description	16
Comprehensive example	60
Example messages	60
Examples CPS segment	60

Introduction

This EDIFACT subset “Despatch Advice” has been prepared by ITEK on behalf of the Arbeitsgemeinschaft Neue Medien der deutschen Sanitärindustrie e.V. and the Deutscher Großhandelsverband Haustechnik e.V.

ITEK
Technologiepark 13
33100 Paderborn

Phone no.: +49 52 51 16 14 –0
Facsimile no.: +49 52 51 16 14 –99
E-mail: editec@itekmbh.de

The EDIFACT subset is based on the EDIFACT syntax version 3 and the following public documents:

- EDIFACT – Standardised message type “DESADV”
- UN/EDIFACT Directory 96B, UN/ECE/TRADE/WP.4
- EDIFACT – Service Segments Application Guidelines, Draft DIN 16560 - Part 1, February 1994
- UN/EDIFACT code list D.97A

Paderborn, June 2015

Explanation

The EDITEC Despatch Advice contains details regarding goods ready for shipment. These pieces of information are either mere data on delivery notes (articles with name and quantity), or they are complemented by packaging hierarchies and the according numeration via the so-called serial shipping container code. It must be pointed out that the Despatch Advice should be sent to the addressee in advance of the physical arrival of the goods. This way, the addressee will be able to use the information to prepare the receipt of the goods.

NB: The Despatch Advice is to be sent to the trade as early as possible.

In detail, information about line items and packages may be given. The following data shall be provided for the addressee:

What time and date were the goods shipped, or from when will the goods be ready for despatch?

How are the goods packaged, and which package contains which item?

Consequently, the addressee will be able to optimize their incoming goods logistics, as well as conduct an incoming goods inspection.

In addition, there is the possibility of using the Despatch Advice as the basis of invoice validation.

It is recommended that the Serial Shipping Container Code (SSCC), which is given as a barcode in the EAN 128 standard, is used to mark the packaging units (packages). Using bar code scanners makes processing the receipt of goods swift and effective.

Apart from the presentation of the article number, the number of the shipping unit is another variant which can be processed in the EAN 128 standard. In contrast to the EAN article number (international article number of the shipping unit), which is preceded by the EAN data designator 01, the number of the shipping unit is marked by the EAN data designator 00.

By means of the Despatch Advice, the inner hierarchic structure of a shipment may be described. It starts on the highest level with the shipment and ends on the lowest level with the line item (see examples on pages 4 and 20).

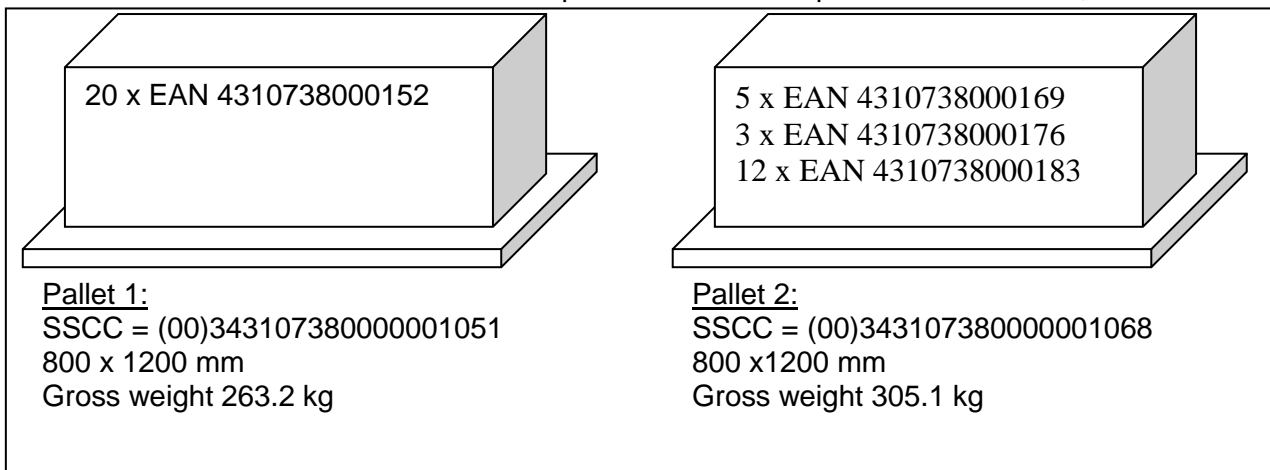
However, the indication of the inner hierarchic relationship of a shipment is not mandatory. A simple and reasonable use of the Despatch Advice is indicating all items subject to delivery and the related relevant data (article number, quantity etc.) included in a shipment.

Explanation

An example of how to use the hierarchy:

The shipment confirmation refers to a shipment of two pallets. Each pallet is clearly identified by a serial shipping container code (SSCC).

The first pallet is identified by the SSCC (00)343107380000001051. It consists of 20 cardboard boxes with the EAN 4310738000152. The pallet is a standard pallet of 800 mm x 1,200 mm linear



Composition of the example shipment

dimension and a gross weight of 263.2 kg. The assumption is that each cardboard box holds a single article, only.

The second pallet is identified by the SSCC (00)343107380000001068 and includes 5 cardboard boxes of the product with EAN 4310738000169, 3 cardboard boxes with EAN 4310738000176, and 12 cardboard boxes with EAN 4310738000183. The pallet is a standard pallet of 800 mm x 1200 mm linear dimension and a gross weight of 305.1 kg. Once again, each cardboard box holds a single article, only.

The example describes a shipment consisting of two pallets and provides the type of pallet, dimensions and weight for each pallet as well as the distinct identification number (Serial Shipping Container Code; SSCC). The content of each pallet is then described by means of the EAN of the included units.

The EDIFACT file referring to this example is constructed as follows:

...	
CPS+1'	Complete shipment
PAC+2++PN'	2 pallets
CPS+2+1'	Pallet 1 of the shipment
PAC+1++PN'	Packaging pallet 1
MEA+AAE+BW+KGM:263,2'	Gross weight of pallet 1
PCI+33E'	
GIN+BJ+00343107380000001051'	NVE/SSCC of pallet 1
PAC+20++CT'	Pallet 1 contains 20 cardboard boxes...
LIN+1++4310738000152:EN::89'	...of the article with EAN 4310738000152
QTY+12:20'	Delivery quantity 20

Explanation

CPS+3+1'	Pallet 2 of the shipment
PAC+1++PN'	Packaging pallet 2
MEA+AAE+BW+KGM:305,1'	Gross weight pallet 2
PCI+33E'	Pallet equipped with SSCC
GIN+BJ+00343107380000001068'	NVE/SSCC of pallet 2
PAC+20++CT'	Pallet 2 contains 20 cardboard boxes...
LIN+2++4310738000169:EN::89'	... of which article 4310738000169...
QTY+12:5'	... delivery quantity 5
LIN+3++4310738000176:EN::89'	... of which article 4310738000176...
QTY+12:3'	... delivery quantity 3
LIN+4++4310738000183:EN::89'	... of which article 4310738000183...
QTY+12:12'	... delivery quantity 12

Instructions for usage

Maximal number of repetitions possible (the mandatory field always refers to the segment and not to the maximal rate of repetitions)

Nummer	Nr	Segment	St	MaxWdh.	Ebene	Name
0210		SG5	C	1	2	CTA-COM
Diese Segmentgruppe enthält das CTA-Segment zur Angabe eines Ansprechpartners.						

0220	19	CTA	M	1	2	Kommunikationspartner
------	----	------------	---	---	---	-----------------------

Segment identifier Segment status (M=Mandatory/C=Conditional) Segment name

Data element identifier

3139			N			Wird im Subset nicht benutzt.
------	--	--	---	--	--	-------------------------------

This is a data element which is not used in the subset. Yet it is positioned either as a data element on data element group level or within a data element group between two data elements used in the subset. At the stage of the implementation, these data elements do not have to be taken into account.

Data element group identifier Data element group name Data element group status

C056	ABTEILUNGS- ODER BEARBEITERANGABEN		C			
3413			N			Wird im Subset nicht benutzt.

Data element identifier within a data element group Data element name Data element status

3412	Abteilung oder Bearbeiter	C an..35				Name des Sachbearbeiters.
------	---------------------------	----------	--	--	--	---------------------------

Alphanumeric with a maximum length of 35 characters; at fixed length the dots “..” are omitted; also: a=alphabetic and n=numeric.

Details on the usage of particular elements in the subset

Message structure

UNA	1	M	1	- Separator default
UNB	2	M	1	- User data head segment
UNH	3	M	1	- Message header
BGM	4	M	1	- Beginning of message
DTM	5	M	1	- Date of message
DTM	6	C	2	- Delivery date/time
SG2		C	1	- Carrier
NAD	7	M	1	- Name and address
SG3		C	1	- RFF
RFF	8	M	1	- Reference
SG4		C	1	- CTA-COM
CTA	9	M	1	- Communication partner
COM	10	C	3	- Communication link
SG2		C	1	- Shipping address
NAD	11	M	1	- Name and address
SG3		C	1	- RFF
RFF	12	M	1	- Reference
SG4		C	1	- CTA-COM
CTA	13	M	1	- Communication partner
COM	14	C	3	- Communication link
SG2		M	1	- Supplier
NAD	15	M	1	- Name and address
SG3		C	1	- RFF
RFF	16	M	1	- Reference
SG4		C	1	- CTA-COM
CTA	17	M	1	- Communication partner
COM	18	C	3	- Communication link
SG2		M	1	- Wholesaler
NAD	19	M	1	- Name and address
SG3		C	1	- RFF
RFF	20	M	1	- Reference
SG4		C	1	- CTA-COM
CTA	21	M	1	- Communication partner
COM	22	C	3	- Communication link
SG2		C	1	- Consignee
NAD	23	M	1	- Name and address
SG3		C	1	- RFF
RFF	24	M	1	- Reference
SG4		C	1	- CTA-COM
CTA	25	M	1	- Communication partner
COM	26	C	3	- Communication link
SG6		M	1	- TDT
TDT	27	M	1	- Transport data
SG10		C	9999	- CPS-SG11-SG15
CPS	28	M	1	- Consignment packing sequence
SG11		C	9999	- PAC-MEA-SG13
PAC	29	M	1	- Package
MEA	30	C	5	- Dimensions and weights
SG13		C	2	- PCI-SG14
PCI	31	M	1	- Package identification
SG14		C	1	- GIN
GIN	32	M	1	- Goods identification number

St =Status

EDIFACT: M=Mandatory, C=Conditional

Application: R=Required, O=Optional, D=Dependent, A=Advised, N=Not used, X=Not used

Message structure

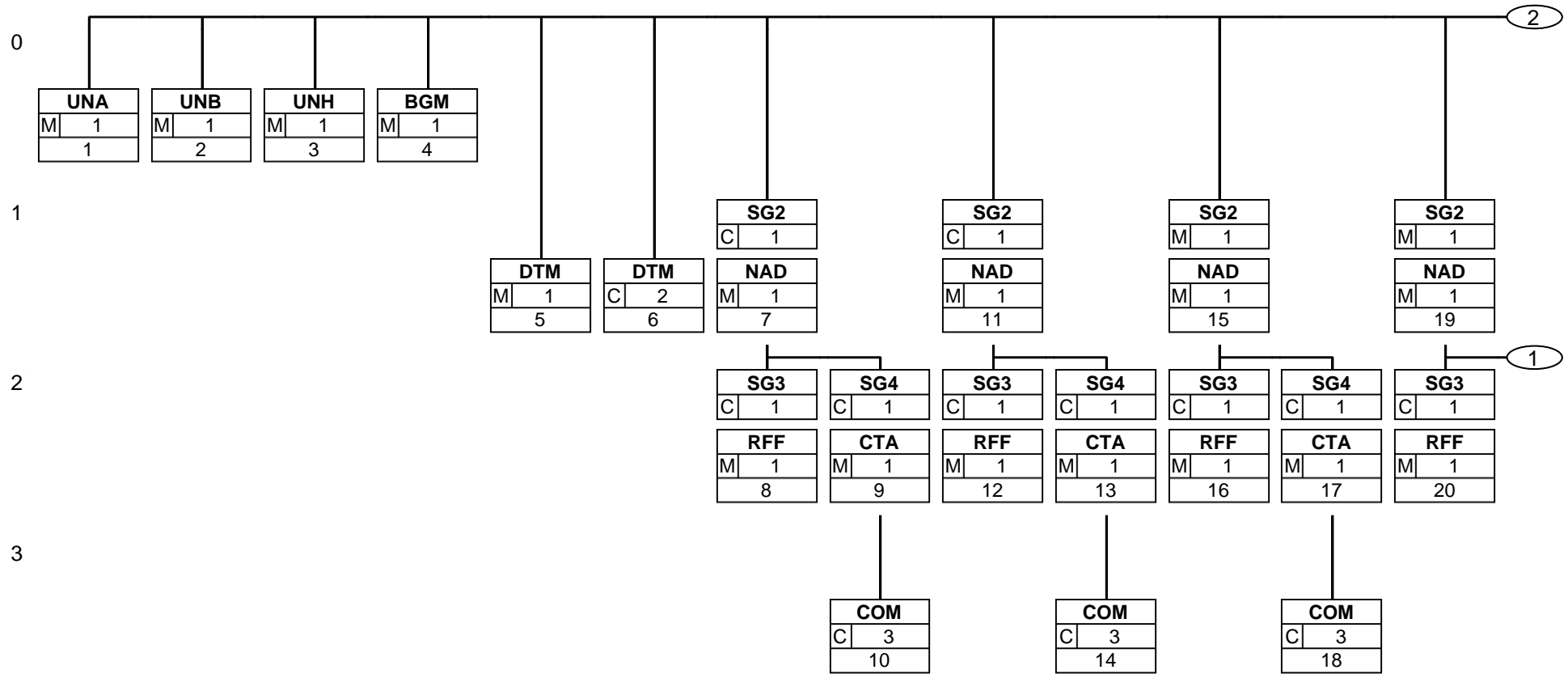
—	SG15		C	9999	- LIN-PIA-IMD-IMD-QTY-SG16-SG23-SG23
—	LIN	33	M	1	- Line item
—	PIA	34	C	10	- Additional product identification
—	IMD	35	C	2	- Item description
—	IMD	36	C	8	- Additional item description
—	QTY	37	M	1	- Quantity
—	SG16		C	3	- RFF-DTM
—	RFF	38	M	1	- Reference
—	DTM	39	C	1	- Date/time/period
—	SG23		C	1	- Partial delivery with subsequent delivery
—	QVR	40	M	1	- Quantity deviations
—	DTM	41	C	1	- Date/time/period
—	SG23		C	1	- Over-delivery/partial delivery without subsequent delivery
—	QVR	42	M	1	- Quantity deviations
—	UNT	43	M	1	- Message end segment
—	UNZ	44	M	1	- User data end segment

St =Status

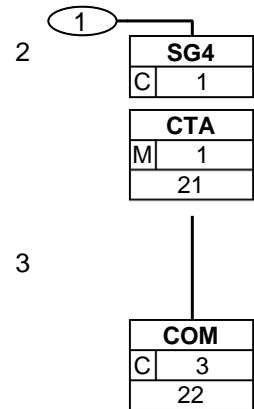
EDIFACT: M=Mandatory, C=Conditional

Application: R=Required, O=Optional, D=Dependent, A=Advised, N=Not used, X=Not used

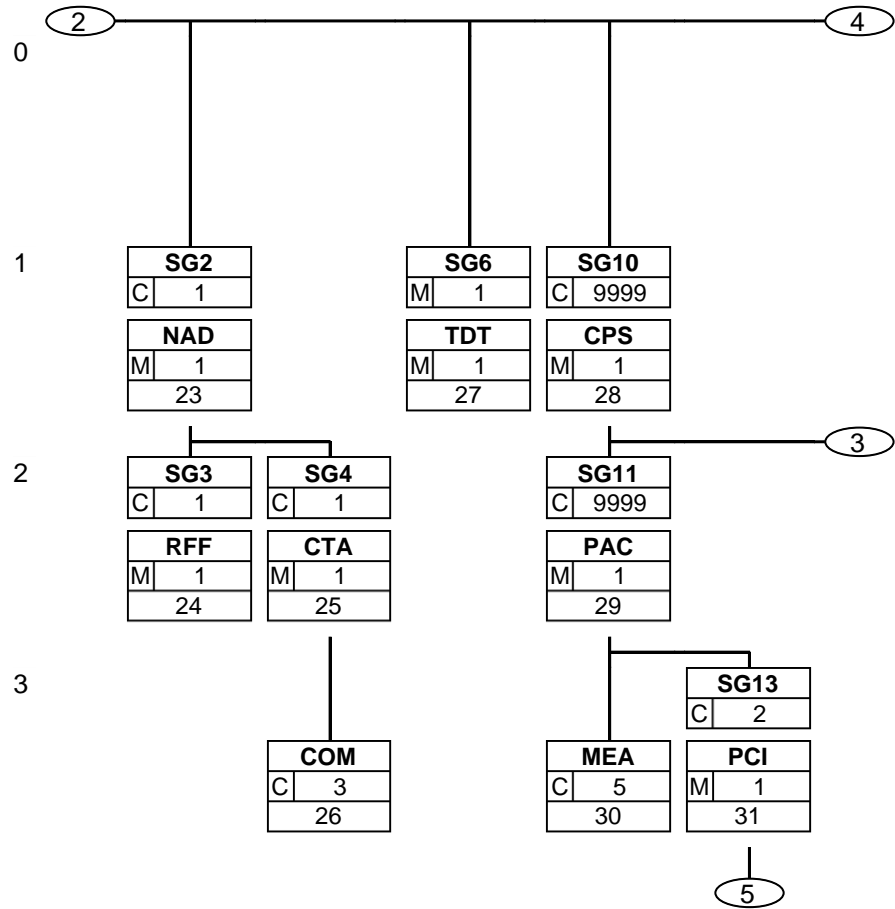
Message structure diagram



Message structure diagram

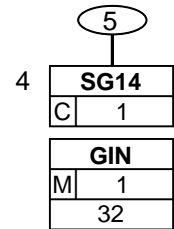


Message structure diagram

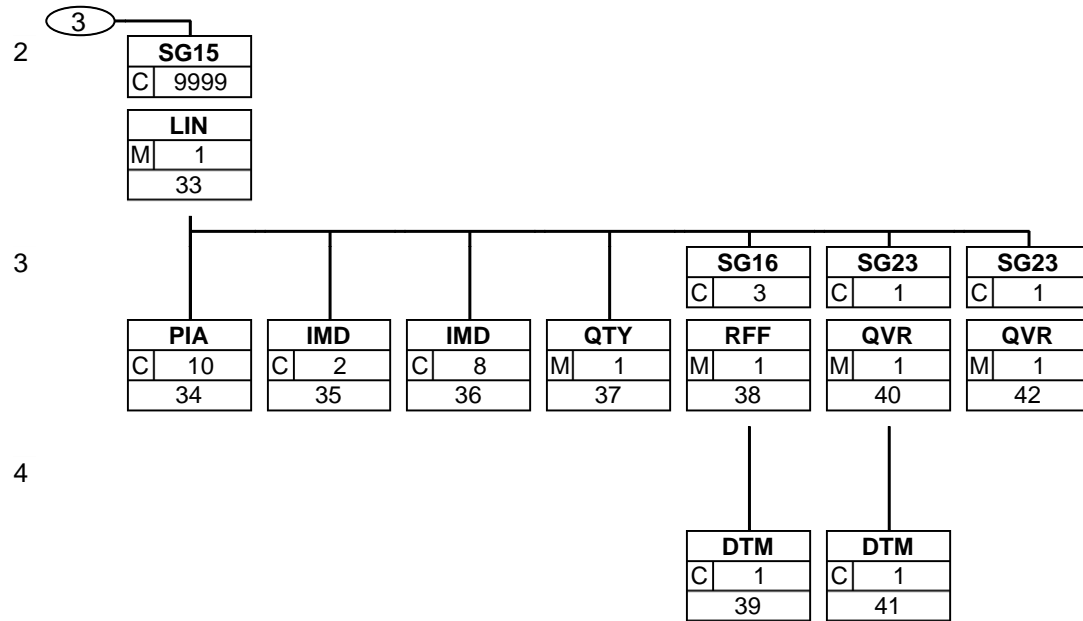


Status: M=Mandatory, C=Conditional, R=Required, O=Optional, D=Dependent, A=Advised, N=Not used, X=Not used

Message structure diagram

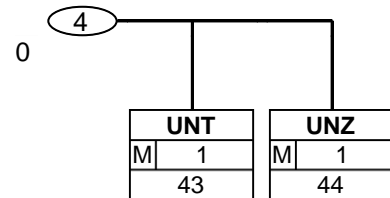


Message structure diagram



Status: M=Mandatory, C=Conditional, R=Required, O=Optional, D=Dependent, A=Advised, N=Not used, X=Not used

Message structure diagram



Segment description

Number	No	Segment	St	Max rep.	Level	Name
--------	----	---------	----	----------	-------	------

0000	1	UNA	M	1	0	Separator default
------	---	------------	---	---	---	-------------------

Tag	Name	St Format	Use/annotations
UNA			
UNA1	: separator	M an1	Separates data elements in a data element group : constant
UNA2	+ separator	M an1	Separates segment designations, data element groups and data elements + constant
UNA3	, decimal marker (comma)	M an1	, constant
UNA4	? release indicator	M an1	Restores the original meaning of the mark that follows the release indicator ? constant
UNA5	blank space	M an1	Reserved for later applications
UNA6	' segment terminator	M an1	' constant

Description: In the UNA segment, separators, decimal marks, and release indicators are predefined. These marks are defined only once and apply to the following messages until they are revoked. Consequently, they will not be transferred furthermore.

Example: UNA:+,?'

Segment description

Number	No.	Segment	St	Max rep.	Level	Name
0000	2	UNB	M	1	0	User data head segment

Tag	Name	St	Format	Use/annotations
UNB				
S001	SYNTAX -DESIGNATOR	M		
0001	Syntax identification	M	a4	CONSTANT VALUE: UNOC EDIFACT syntax character set C
0002	Syntax version number	M	n1	CONSTANT VALUE: 3 EDIFACT syntax version 3
S002	SENDER OF THE INTERCHANGE FILE	M		
0004	Sender designation	M	an..35	Identifier of the sender (e. g. identification number in the Telebox400)
0007	Participant designation, qualifier	M	an..4	This data element serves for the definite specification of the participants. The following codes are available: 65 sender Telebox400 user ZZZ sender (other network operators) 14 sender GLN SHK SHK mail
S003	RECIPIENT OF THE INTERCHANGE FILE	M		
0010	Recipient designation	M	an..35	Identifier of the recipient (e. g. identification number in the Telebox400)
0007	Participant designation, qualifier	M	an..4	This data element serves for the definite specification of the participants. The following codes are available: 65 recipient Telebox400 user ZZZ recipient (other network operators) 14 recipient GLN SHK SHK mail
S004	DATE/TIME OF CREATION	M		
0017	Date of creation	M	n6	Date of the creation of the message on the side of the sender in YYMMDD format (this format is prescribed by the EDIFACT application guideline for service segments).
0019	Time of creation	M	n4	Format: HHMM
0020	DATA EXCHANGE REFERENCE	M	an..14	Number for each communication address (X.400, Provider, ...) and message type, rising in ascending order. The data exchange reference number serves as a plausibility test for the identification of double transfers and failed transfers. This task is being fulfilled by the converter.
S005		N		
0022		N		Not used in the subset.
0026		N		Not used in the subset.
0029		N		Not used in the subset.
0031		N		Not used in the subset.
0032		N		Not used in the subset.
0035	Test indicator	C	n1	Test indicator

Description:

In the UNB segment, specifications re syntax, sender/recipient of the transfer file, the date and time of its creation, and a data transfer reference are transferred.

Example:

UNB+UNOC:3+4012345000009:14+4012345000010:14+131014:1154+1+++++1'

Segment description

Number	No	Segment	St	Max rep.	Level	Name
0010	3	UNH	M	1	0	Message head segment

Tag	Name	St	Format	Use/annotations
UNH				
0062	MESSAGE REFERENCE NUMBER	M	an..14	In each transfer file, every message is consistently numbered in ascending order, beginning with "1". This task is being fulfilled by the converter.
S009	MESSAGE IDENTIFICATION	M		
0065	Message type identification	M	an..6	Constant value: DESADV Despatch Advice
0052	Version number of the message type	M	an..3	Constant value: D Draft Directory
0054	Release number of the message type	M	an..3	Constant value: 96B UN/EDIFACT Draft Directory D.96B
0051	Administrative organization, coded	M	an..2	Constant value: UN United Nations UN/ECE/TRADE/WP.4
0057	Application code of the competent organization	M	an..6	Constant value: ITEK40 Version 4.0

Description: In the UNH segment, a message is identified unambiguously. The EDITEC Subset "Despatch Advice" is based on the message type "DESADV".

Example: UNH+1+DESADV:D:96B:UN:ITEK40'

Segment description

Number	No	Segment	St	Max rep.	Level	Name
0020	4	BGM	M	1	0	Beginning of message

Tag	Name	St	Format	Use/annotations
BGM				
C002	DOCUMENT/MESSAGE NAME	M		
1001	Document/message name, coded	M	an..3	The following codes are available: 22E despatch notification on the basis of an order created by the industry 270 delivery note data only 351 Despatch Advice (incl. delivery note data)
C106	DOCUMENT/MESSAGE IDENTIFICATION	M		
1004	Document/message number	M	an..35	Number of the document, assigned by the sender.

Description: In the BGM segment, the purpose, name and number of the message are defined.

Annotation:

- The transfer of multiple notifications of delivery on one day is possible.
- For third-party deliveries, separate notifications of delivery will follow (varying delivery address in the NAD).

Implementation note: If only delivery note data without further information are transferred, code 270 is used. In the case of a Despatch Advice on the basis of a fulfilment confirmation that was created due to an order created by the industry, the subset ORDRSP 3.6 should be used for the transfer of the fulfilment confirmation. This and subsequent versions are the only versions that allow for the specification of partial deliveries. If an older subset version is used, the delivery quantity will exceed the quantity ordered with the second or further notifications of deliveries. This may possibly cause problems with the automatic processing at the wholesaler's.

Example: BGM+351+1'

Open questions: [Check Implementation note](#)

Segment description

Number	No	Segment	St	Max rep.	Level	Name
0030	5	DTM	M	1	1	Date of the document

Tag	Name	St	Format	Use/annotations
DTM				
C507	DATE/TIME/PERIOD SPECIFICATIONS	M		
2005	Date/time/period specifications, qualifier	M	an..3	The following codes are available: 137 document/message date
2380	Date/time/period specifications	M	an..35	Date/time of the Despatch Advice, formatted as defined in data element 2379.
2379	Date/time/period specifications, format, qualifier	M	an..3	The following codes are available: 102 format: YYYYMMDD

Description: In the DTM segment the date of the Despatch Advice has to be transferred.

Example: DTM+137:20141012:102'

Segment description

Number	No	Segment	St	Max rep.	Level	Name
0030	6	DTM	C	2	1	Delivery date/time

Tag	Name	St	Format	Use/annotations
DTM				
C507	DATE/TIME/PERIOD SPECIFICATIONS	M		
2005	Date/time/period specifications, qualifier	M	an..3	The following codes are available: 133 date of despatch 17 definite date of delivery 63 date/time of delivery, at the latest 64 date/time of delivery, at the earliest
2380	Date/time/period specifications	M	an..35	Date/time of the Despatch Advice, formatted as defined in data element 2379.
2379	Date/time/period specifications, format, qualifier	M	an..3	The following codes are available: 102 format: YYYYMMDD

Description:

In the DTM segment, the date of delivery can be transferred.

Implementation note:

If possible, a definite/fixed date of delivery should be transferred, as this is the only way that exact information about the arrival of the goods at the wholesaler's can be given.

Example:

DTM+133:20141013:102'

Segment description

Number	No	Segment	St	Max rep.	Level	Name
0100		SG2	C	1	1	Carrier
This segment group encompasses the NAD segment as well as segment groups 3 and 4. It serves for the indication of the partners and their contact persons.						
0110	7	NAD	M	1	1	Name and address

Tag	Name	St	Format	Use/annotations
NAD				
3035	PARTNER, QUALIFIER	M	an..3	The following codes are available: CA Carrier
C082	IDENTIFICATION OF THE PARTNER	C		
3039	Partner identification number, coded	M	an..35	In relation to the qualifier stated above, the identification number of the partner will be provided here.
1131		N		Not used in the subset.
3055	Administrative organization, coded	M	an..3	The following codes are available: 9 GLN (GS1 as the German issuer of the GLN numbers) ZZZ bilaterally agreed upon (customer- and supplier numbers)
C058		N		
3124		N		Not used in the subset.
C080	NAME OF THE PARTNER	C		
3036	Name 1 of the partner	M	an..35	Name 1 of the partner.
3036	Name 2 of the partner	C	an..35	Name 2 of the partner.
3036	Name 3 of the partner	C	an..35	Name 3 of the partner.
C059	STREET	C		
3042	Street and house number	M	an..35	Building name/number and street name
3164	PLACE	C	an..35	
3229		N		Not used in the subset.
3251	POSTAL CODE/ZIP CODE	C	an..9	
3207	COUNTRY, CODED	C	an..3	The most important country codes according to ISO 3166 (the postal codes have to be given on the delivery note papers): BE Belgium BG Bulgaria DK Denmark DE Germany FI Finland FR France GR Greece GB Great Britain IE Ireland IT Italy CA Canada LU Luxembourg NL Netherlands NO Norway AT Austria PT Portugal SE Sweden CH Switzerland ES Spain TR Turkey US USA

Description: In the NAD segment, data for the identification of the parties involved as well as important address details are transferred.

Implementation note: Code "C082" or code "C080" has to be transferred.

Example: NAD+CA+4012345000009::9++Joe:John:Sample+Any Street 16+Any City++12345+DE'

Segment description

Number	No	Segment	St	Max rep.	Level	Name
0130		SG3	C	1	2	RFF
This segment group contains the RFF segment, which contains the references referring to the partner given in the NAD segment.						
0140	8	RFF	M	1	2	Reference data

Tag	Name	St	Format	Use/annotations
RFF				
C506	REFERENCE DATA	M		
1153	Reference, qualifier	M	an..3	Constant value: API Additional partner identification* (e.g. one's own identification number at the partner's) *Code does not correspond to any UN/EDIFACT code list.
1154	Reference number	M	an..35	

Description: This segment is used for the indication of reference data referring to the partner identified in the previous NAD segment. This may be for example one's own identification number at the partner's as an addition to the GLN number.

Example: RFF+API:12345'

Segment description

Number	No	Segment	St	Max rep.	Level	Name
0160		SG4	C	1	2	CTA-COM
This segment group contains the CTA segment for the indication of the contact person and the COM segment for the indication of the communication link.						
0170	9	CTA	M	1	2	Communication partner

Tag	Name	St	Format	Use/annotations
CTA				
3139		N		Not used in the subset.
C056	DEPARTMENT OR EMPLOYEE DETAILS	M		
3413		N		Not used in the subset.
3412	Department or person responsible	M	an..35	Name of the department or person responsible

Description: In the CTA segment, the name of the person responsible for the transaction at hand, both at the sender's and the recipient's, can be transferred.

Example: CTA++:Joe Sample'

Segment description

Number	No	Segment	St	Max rep.	Level	Name
0160		SG4	C	1	2	CTA-COM
This segment group contains the CTA segment for the indication of the contact person and the COM segment for the indication of the communication link.						
0180	10	COM	C	3	3	Communication link

Tag	Name	St	Format	Use/annotations
COM				
C076	COMMUNICATION LINK	M		
3148	Communication number	M	an..512	
3155	Communication channel/service, qualifier	M	an..3	The following codes are available: EM E-Mail FX Facsimile TE Telephone

Description: A segment for the indication of the communication number and -type of the person responsible or department referred to in the CTA segment.

Example: COM+joe_sample@e_mail.de:EM'

Segment description

Number	No	Segment	St	Max rep.	Level	Name
0100		SG2	C	1	1	Shipping address
This segment group encompasses the NAD segment as well as segment groups 3 and 4. It serves for the indication of the partners and their contact persons.						
0110	11	NAD	M	1	1	Name and address

Tag	Name	St	Format	Use/annotations
NAD				
3035	PARTNER, QUALIFIER	M	an..3	The following codes are available: ST Shipping address
C082	IDENTIFICATION OF THE PARTNER	C		
3039	Partner identification number, coded	M	an..35	In relation to the qualifier stated above, the identification number of the partner will be provided here.
1131		N		Not used in the subset.
3055	Administrative organization, coded	C	an..3	The following codes are available: 9 GLN (GS1 as the German issuer of the GLN numbers) ZZZ bilaterally agreed upon (customer- and supplier numbers)
C058		N		
3124		N		Not used in the subset.
C080	NAME OF THE PARTNER	M		
3036	Name 1 of the partner	M	an..35	Name 1 of the partner.
3036	Name 2 of the partner	C	an..35	Name 2 of the partner.
3036	Name 3 of the partner	C	an..35	Name 3 of the partner.
C059	STREET	M		
3042	Street and house number	M	an..35	Building name/number and street name
3164	PLACE	M	an..35	
3229		N		Not used in the subset.
3251	POSTAL CODE/ZIP CODE	M	an..9	
3207	COUNTRY, CODED	M	an..3	The most important country codes according to ISO 3166 (the postal codes have to be given on the delivery note papers): BE Belgium BG Bulgaria DK Denmark DE Germany FI Finland FR France GR Greece GB Great Britain IE Ireland IT Italy CA Canada LU Luxembourg NL Netherlands NO Norway AT Austria PT Portugal SE Sweden CH Switzerland ES Spain TR Turkey US USA

Description: In the NAD segment, data for the identification of the parties involved as well as important address details are transferred.

Implementation note: It is compulsory to state the name and address of the partner here.

Example: NAD+ST+4012345000009::9++Joe:John:Sample+Any Street 16+Any City++12345+DE'

Segment description

Number	No	Segment	St	Max rep.	Level	Name
0130		SG3	C	1	2	RFF
This segment group contains the RFF segment, which contains the references referring to the partner given in the NAD segment.						
0140	12	RFF	M	1	2	Reference data

Tag	Name	St	Format	Use/annotations
RFF				
C506	REFERENCE DATA	M		
1153	Reference, qualifier	M	an..3	Constant value: API Additional partner identification* (e.g. one's own identification number at the partner's) *Code does not correspond to any UN/EDIFACT code list.
1154	Reference number	M	an..35	

Description: This segment is used for the indication of reference data referring to the partner identified in the previous NAD segment. This may be for example one's own identification number at the partner's as an addition to the GLN number.

Example: RFF+API:12345'

Segment description

Number	No	Segment	St	Max rep.	Level	Name
0160		SG4	C	1	2	CTA-COM
This segment group contains the CTA segment for the indication of the contact person and the COM segment for the indication of the communication link.						
0170	13	CTA	M	1	2	Communication partner

Tag	Name	St	Format	Use/annotations
CTA				
3139		N		Not used in the subset.
C056	DEPARTMENT OR EMPLOYEE DETAILS	M		
3413		N		Not used in the subset.
3412	Department or person responsible	M	an..35	Name of the department or person responsible

Description: In the CTA segment, the name of the person responsible for the transaction at hand, both at the sender's and the recipient's, can be transferred.

Example: CTA++:Joe Sample'

Segment description

Number	No	Segment	St	Max rep.	Level	Name
0160		SG4	C	1	2	CTA-COM
This segment group contains the CTA segment for the indication of the contact person and the COM segment for the indication of the communication link.						
0180	14	COM	C	3	3	Communication link

Tag	Name	St	Format	Use/annotations
COM				
C076	COMMUNICATION LINK		M	
3148	Communication number		M an..512	
3155	Communication channel/service, qualifier		M an..3	The following codes are available: EM E-Mail FX Facsimile TE Telephone

Description: A segment for the indication of the communication number and -type of the person responsible or department referred to in the CTA segment.

Example: COM+joe_sample@e_mail.de:EM'

Segment description

Number	No	Segment	St	Max rep.	Level	Name
0100		SG2	M	1	1	Supplier
This segment group encompasses the NAD segment as well as segment groups 3 and 4. It serves for the indication of the partners and their contact persons.						
0110	15	NAD	M	1	1	Name and address

Tag	Name	St	Format	Use/annotations
NAD				
3035	PARTNER, QUALIFIER	M	an..3	The following codes are available: SU Supplier (Industry)
C082	IDENTIFICATION OF THE PARTNER	M		
3039	Partner identification number, coded	M	an..35	In relation to the qualifier stated above, the identification number of the partner will be provided here.
1131		N		Not used in the subset.
3055	Administrative organization, coded	M	an..3	The following codes are available: 9 GLN (GS1 as the German issuer of the GLN numbers) ZZZ bilaterally agreed upon (customer- and supplier numbers)
C058		N		
3124		N		Not used in the subset.
C080	NAME OF THE PARTNER	C		
3036	Name 1 of the partner	M	an..35	Name 1 of the partner.
3036	Name 2 of the partner	C	an..35	Name 2 of the partner.
3036	Name 3 of the partner	C	an..35	Name 3 of the partner.
C059	STREET	C		
3042	Street and house number	M	an..35	Building name/number and street name
3164	PLACE	C	an..35	
3229		N		Not used in the subset.
3251	POSTAL CODE/ZIP CODE	C	an..9	
3207	COUNTRY, CODED	C	an..3	The most important country codes according to ISO 3166 (the postal codes have to be given on the delivery note papers): BE Belgium BG Bulgaria DK Denmark DE Germany FI Finland FR France GR Greece GB Great Britain IE Ireland IT Italy CA Canada LU Luxembourg NL Netherlands NO Norway AT Austria PT Portugal SE Sweden CH Switzerland ES Spain TR Turkey US USA

Description: In the NAD segment, data for the identification of the parties involved as well as important address details are transferred.

Example: NAD+SU+401234500009::9++Joe:John:Sample+Any Street 16+Any City++12345+DE'

Segment description

Number	No	Segment	St	Max rep.	Level	Name
0130		SG3	C	1	2	RFF
		This segment group contains the RFF segment that contains the references referring to the partner given in the NAD segment.				
0140	16	RFF	M	1	2	Reference data

Tag	Name	St	Format	Use/annotations
RFF				
C506	REFERENCE DATA	M		
1153	Reference, qualifier	M	an..3	Constant value: API Additional partner identification* (e.g. one's own identification number at the partner's) XA Company-/place registration number (as required by law)
1154	Reference number	M	an..35	*Code does not correspond to any UN/EDIFACT code list.

Description:

This segment is used for the indication of reference data referring to the partner identified in the previous NAD segment. This may be for example one's own identification number at the partner's as an addition to the GLN number.

The "XA" code is available for transferring the WEEE registration number (Waste Electrical and Electronic Equipment). Transmitting the WEEE registration number has been compulsory since 24 Nov 2005.

Example:

RFF+XA:AN'

Segment description

Number	No	Segment	St	Max rep.	Level	Name
0160		SG4	C	1	2	CTA-COM
This segment group contains the CTA segment for the indication of the contact person and the COM segment for the indication of the communication link.						
0170	17	CTA	M	1	2	Communication partner

Tag	Name	St	Format	Use/annotations
CTA				
3139		N		Not used in the subset.
C056	DEPARTMENT OR EMPLOYEE DETAILS	M		
3413		N		Not used in the subset.
3412	Department or person responsible	M	an..35	Name of the department or person responsible.

Description: In the CTA segment, the name of the person responsible for the transaction at hand, both at the sender's and the recipient's, can be transferred.

Example: CTA++:Joe Sample'

Segment description

Number	No	Segment	St	Max rep.	Level	Name
0160		SG4	C	1	2	CTA-COM
This segment group contains the CTA segment for the indication of the contact person and the COM segment for the indication of the communication link.						
0180	18	COM	C	3	3	Communication link

Tag	Name	St	Format	Use/annotations
COM				
C076	COMMUNICATION LINK		M	
3148	Communication number		M an..512	
3155	Communication channel/service, qualifier		M an..3	The following codes are available: EM E-Mail FX Facsimile TE Telephone

Description: A segment for the indication of the communication number and -type of the person responsible or department referred to in the CTA segment.

Example: COM+joe_sample@e_mail.de:EM'

Segment description

Number	No	Segment	St	Max rep.	Level	Name
0100		SG2	M	1	1	Wholesaler
This segment group encompasses the NAD segment as well as segment groups 3 and 4. It serves for the indication of the partners and their contact persons.						
0110	19	NAD	M	1	1	Name and address

Tag	Name	St	Format	Use/annotations
NAD				
3035	PARTNER, QUALIFIER	M	an..3	The following codes are available: WS Wholesaler
C082	IDENTIFICATION OF THE PARTNER	M		
3039	Partner identification number, coded	M	an..35	In relation to the qualifier stated above, the identification number of the partner will be provided here.
1131		N		Not used in the subset.
3055	Administrative organization, coded	M	an..3	The following codes are available: 9 GLN (GS1 as the German issuer of the GLN numbers) ZZZ bilaterally agreed upon (customer- and supplier numbers)
C058		N		
3124		N		Not used in the subset.
C080	NAME OF THE PARTNER	C		
3036	Name 1 of the partner	M	an..35	Name 1 of the partner.
3036	Name 2 of the partner	C	an..35	Name 2 of the partner.
3036	Name 3 of the partner	C	an..35	Name 3 of the partner.
C059	STREET	C		
3042	Street and house number	M	an..35	Building name/number and street name
3164	PLACE	C	an..35	
3229		N		Not used in the subset.
3251	POSTAL CODE/ZIP CODE	C	an..9	
3207	COUNTRY, CODED	C	an..3	The most important country codes according to ISO 3166 (the postal codes have to be given on the delivery note papers): BE Belgium BG Bulgaria DK Denmark DE Germany FI Finland FR France GR Greece GB Great Britain IE Ireland IT Italy CA Canada LU Luxembourg NL Netherlands NO Norway AT Austria PT Portugal SE Sweden CH Switzerland ES Spain TR Turkey US USA

Description: In the NAD segment, data for the identification of the parties involved as well as important address details are transferred.

Example: NAD+WS+4012345000009::9++Joe:John:Sample+Any Street 16+Any City++12345+DE'

Segment description

Number	No	Segment	St	Max rep.	Level	Name
0130		SG3	C	1	2	RFF
This segment group contains the RFF segment, which contains the references referring to the partner given in the NAD segment.						
0140	20	RFF	M	1	2	Reference data

Tag	Name	St	Format	Use/annotations
RFF				
C506	REFERENCE DATA	M		
1153	Reference, qualifier	M	an..3	Constant value: API Additional partner identification* (e.g. one's own identification number at the partner's) *Code does not correspond to any UN/EDIFACT code list.
1154	Reference number	M	an..35	

Description: This segment is used for the indication of reference data referring to the partner identified in the previous NAD segment. This may be for example one's own identification number at the partner's as an addition to the GLN number.

Example: RFF+API:12345'

Segment description

Number	No	Segment	St	Max rep.	Level	Name
0160		SG4	C	1	2	CTA-COM
This segment group contains the CTA segment for the indication of the contact person and the COM segment for the indication of the communication link.						
0170	21	CTA	M	1	2	Communication partner

Tag	Name	St	Format	Use/annotations
CTA				
3139		N		Not used in the subset.
C056	DEPARTMENT OR EMPLOYEE DETAILS	M		
3413		N		Not used in the subset.
3412	Department or person responsible	M	an..35	Name of the department or person responsible.

Description: In the CTA segment, the name of the person responsible for the transaction at hand, both at the sender's and the recipient's, can be transferred.

Example: CTA++:Joe Sample'

Segment description

Number	No	Segment	St	Max rep.	Level	Name
0160		SG4	C	1	2	CTA-COM
This segment group contains the CTA segment for the indication of the contact person and the COM segment for the indication of the communication link.						
0180	22	COM	C	3	3	Communication link

Tag	Name	St	Format	Use/annotations
COM				
C076	COMMUNICATION LINK		M	
3148	Communication number		M an..512	
3155	Communication channel/service, qualifier		M an..3	The following codes are available: EM E-Mail FX Facsimile TE Telephone

Description: A segment for the indication of the communication number and -type of the person responsible or department referred to in the CTA segment.

Example: COM+joe_sample@e_mail.de:EM'

Segment description

Number	No	Segment	St	Max rep.	Level	Name
0100		SG2	C	1	1	Consignee
This segment group encompasses the NAD segment as well as segment groups 3 and 4. It serves for the indication of the partners and their contact persons.						
0110	23	NAD	M	1	1	Name and address

Tag	Name	St	Format	Use/annotations
NAD				
3035	PARTNER, QUALIFIER	M	an..3	The following codes are available: DP Consignee wholesaler
C082	IDENTIFICATION OF THE PARTNER	M		
3039	Partner identification number, coded	M	an..35	In relation to the qualifier stated above, the identification number of the partner will be provided here.
1131		N		Not used in the subset.
3055	Administrative organization, coded	M	an..3	The following codes are available: 9 GLN (GS1 as the German issuer of the GLN numbers) ZZZ bilaterally agreed upon (customer- and supplier numbers)
C058		N		
3124		N		Not used in the subset.
C080	NAME OF THE PARTNER	M		
3036	Name 1 of the partner	M	an..35	Name 1 of the partner.
3036	Name 2 of the partner	C	an..35	Name 2 of the partner.
3036	Name 3 of the partner	C	an..35	Name 3 of the partner.
C059	STREET	M		
3042	Street and house number	M	an..35	Building name/number and street name
3164	PLACE	M	an..35	
3229		N		Not used in the subset.
3251	POSTAL CODE/ZIP CODE	M	an..9	
3207	COUNTRY, CODED	M	an..3	The most important country codes according to ISO 3166 (the postal codes have to be given on the delivery note papers): BE Belgium BG Bulgaria DK Denmark DE Germany FI Finland FR France GR Greece GB Great Britain IE Ireland IT Italy CA Canada LU Luxembourg NL Netherlands NO Norway AT Austria PT Portugal SE Sweden CH Switzerland ES Spain TR Turkey US USA

Description:

In the NAD segment, data for the identification of the parties involved as well as important address details are transferred.

Example:

NAD+DP+401234500009::9++Joe:John:Sample+Any Street 16+Any City+
+12345+DE'

Segment description

Number	No	Segment	St	Max rep.	Level	Name
0130		SG3	C	1	2	RFF
This segment group contains the RFF segment, which contains the references referring to the partner given in the NAD segment.						
0140	24	RFF	M	1	2	Reference data

Tag	Name	St	Format	Use/annotations
RFF				
C506	REFERENCE DATA	M		
1153	Reference, qualifier	M	an..3	Constant value: API Additional partner identification* (e.g. one's own identification number at the partner's) *Code does not correspond to any UN/EDIFACT code list.
1154	Reference number	M	an..35	

Description: This segment is used for the indication of reference data referring to the partner identified in the previous NAD segment. This may be for example one's own identification number at the partner's as an addition to the GLN number.

Example: RFF+API:12345'

Segment description

Number	No	Segment	St	Max rep.	Level	Name
0160		SG4	C	1	2	CTA-COM
This segment group contains the CTA segment for the indication of the contact person and the COM segment for the indication of the communication link.						
0170	25	CTA	M	1	2	Communication partner

Tag	Name	St	Format	Use/annotations
CTA				
3139		N		Not used in the subset.
C056	DEPARTMENT OR EMPLOYEE DETAILS	M		
3413		N		Not used in the subset.
3412	Department or person responsible	M	an..35	Name of the department or person responsible.

Description: In the CTA segment, the name of the person responsible for the transaction at hand, both at the sender's and the recipient's, can be transferred.

Example: CTA++:Joe Sample'

Segment description

Number	No	Segment	St	Max rep.	Level	Name
0160		SG4	C	1	2	CTA-COM
This segment group contains the CTA segment for the indication of the contact person and the COM segment for the indication of the communication link.						
0180	26	COM	C	3	3	Communication link

Tag	Name	St	Format	Use/annotations
COM				
C076	COMMUNICATION LINK		M	
3148	Communication number		M an..512	
3155	Communication channel/service, qualifier		M an..3	The following codes are available: EM E-Mail FX Facsimile TE Telephone

Description: A segment for the indication of the communication number and -type of the person responsible or department referred to in the CTA segment.

Example: COM+joe_sample@e_mail.de:EM'

Segment description

Number	No	Segment	St	Max rep.	Level	Name
0230		SG6	M	1	1	TDT
This segment group contains the TDT segment for the indication of transport data.						
0240	27	TDT	M	1	1	Transport data

Tag	Name	St	Format	Use/annotations
TDT				
8051	TRANSPORT DATA, QUALIFIER	M	an..3	Constant value: 13 Transport
8028	CONSIGNMENT NUMBER	C	an..17	Unambiguous number of the consignment
C220	MODE OF TRANSPORTATION	M		
8067	Mode of transportation, coded	M	an..3	The following codes are available: 30 Road transportation
C228	MEANS OF TRANSPORTATION	M		
8179	Means of transportation, identification	M	an..8	The following codes are available: 31 Heavy goods vehicle 51 Parcel service* Codes marked * do not correspond to any UN/EDIFACT code list.

Description:

In the TDT segment, both mode of transportation and means of transportation have to be transferred.

Implementation note:

For unambiguous order tracing a consignment number is desirable. With several Despatch Advices (cf. annotation BGM segment) the consignment number has to be transferred by consignee and delivery date/time. This way, the wholesaler will be able to bundle several Despatch Advices in one consignment!

Example:

TDT+13+AN37+30+31'

Segment description

Number	No	Segment	St	Max rep.	Level	Name
0370		SG10	C	9999	1	CPS-SG11-SG15
<p>This segment group contains the CPS segment and the segment group 11, 13, 14, 15, 16 and 23. It contains information about all levels of packaging and the singular items of the shipping. This segment group is able to display the hierarchy of packaging, describing the structure of packaging from the outer to the inner level of packaging. The information referring to the inner level of packaging is followed by detailed data referring to the products.</p>						
0380	28	CPS	M	1	1	Packaging hierarchy of the shipment

Tag	Name	St Format	Use/annotations
CPS			
7164	HIERARCHICAL IDENTIFICATION NUMBER	M an..12	A sender-provided definite number for the identification of a level within a hierarchic structure. At least one level of hierarchy has to be stated. If a hierarchy is not necessary, one level will be used for the whole of the shipment (successive number of the packaging hierarchy). The number stated has to be unambiguous, whole-numbered, and unequal "0".
7166	HIERARCHICAL PARENT IDENTIFICATION	C an..12	Identification number of the next higher level in a hierarchical structure. The number stated has to be unambiguous, whole-numbered, and unequal "0".

Description: This segment is used to provide the succession of packages of a shipment.

Example: CPS+2+1'

Segment description

Number	No	Segment	St	Max rep.	Level	Name
--------	----	---------	----	----------	-------	------

0400		SG11	C	9999	2	PAC-MEA-SG13
------	--	-------------	---	------	---	---------------------

This segment group contains the segments PAC and MEA as well as segment groups 13 and 14. It indicates types of packages, their physical dimensions, tags and package numbers, quantities, exact dates and times, and information regarding the packaging at this level.

0410	29	PAC	M	1	2	Package/packaging
------	----	------------	---	---	---	--------------------------

Tag	Name	St	Format	Use/annotations
PAC				
7224	NUMBER OF PACKAGES	M	n..8	Number of packages at this hierarchical level
C531		N		
7075	Packaging level, coded	M	an..3	
C202	TYPE OF PACKAGING	M		
7065	Type of package, identification	M	an..17	The following codes are available: BB roll BG sack BH bunch/bundle BK basket CF box CG cage CH pallet cage CT cardboard box PA small parcel PC parcel PG one-way pallet PN euro-pallet PU case SC mixed pallet TU tube LKW lorry/truck
C402		N		
7077		N		Not used in the subset.
C532	RETURNABLE PACKAGINGS	C		
8395		N		Not used in the subset.
8393	Freight content of returnable packaging, coded	C	an..3	Constant value: 3 Designation for empty packaging, indicating that the packaging has to be returned.

Description: This segment may be used to indicate the complete number of a shipment's packages as defined in the CPS segment. The content of each package is then described in the following LIN segments. In addition, the type of packaging can be stated at the hierarchical level.

Example: PAC+9++PC++:3'

Segment description

Number	No	Segment	St	Max rep.	Level	Name
0400		SG11	C	9999	2	PAC-MEA-SG13
This segment group contains the segments PAC and MEA as well as segment groups 13 and 14. It indicates types of packages, their physical dimensions, tags and package numbers, quantities, exact dates and times, and information regarding the packaging at this level.						
0420	30	MEA	C	5	3	Measurements and weights

Tag	Name	St	Format	Use/annotations
MEA				
6311	MEASUREMENT APPLICATION QUALIFIER	M	an..3	Constant value: AAE measurements
C502	MEASUREMENT DETAILS	M		
6313	Measurement dimensions, coded	M	an..3	The following codes are available: AAI filling quantity ABJ volume BW weight DI diameter DP depth DW width on the left FN surface HT height LN length VW width on the right WD width
C174	MEASUREMENTS AND DEVIATIONS	M		
6411	Unit of measure, qualifier	M	an..3	The following codes are available: CMK square centimetre CMQ cubic centimetre CMT centimetre DZN dozen GRM gram HLT hectolitre HUR hour KGM kilogramme KTM kilometre LTR litre MIN minute MMT millimetre MTK square metre MTQ cubic metre MTR metre PAK pack PCE piece PR pair RO number of rolls SET set TNE metric ton UI unit of work
6314	Measurement value	M	an..18	Measurement value with three decimal places max.

Description: In the MEA segment logistic information regarding packaging can be transferred.

Example: MEA+AAE+AAI+CMK:50'

Segment description

Number	No	Segment	St	Max rep.	Level	Name
0470		SG13	C	2	3	PCI-SG14
This segment group contains the PCI segment as well as segment group 14. The group provides information re markings, label contents. and package numbers.						
0480	31	PCI	M	1	3	Package identification

Tag	Name	St Format	Use/annotations
PCI			
4233	MARKING INSTRUCTIONS, CODED	C an..3	The following codes are available: 33E SSCC with guiding data designator, scan number – barcode* 12 package number issued by supplier (individual) – no barcode* Codes marked * do not correspond to any UN/EDIFACT code list.

Description: The PCI segment contains information re markings and labels of packaging unit and -level as stated in the PAC segment.

Example: PCI+33E'

Segment description

Number	No	Segment	St	Max rep.	Level	Name
0520		SG14	C	1	4	GIN
This segment group contains the GIN segment that provides the package identification numbers (e.g. the number of the packaging unit).						
0530	32	GIN	M	1	4	Goods identification number

Tag	Name	St Format	Use/annotations
GIN			
7405	IDENTIFICATION NUMBER, QUALIFIER	M an..3	The following codes are available: BJ SSCC with guiding data designator (first two digits), scan number – barcode* ML package number issued by supplier (individual) – no barcode
C208	IDENTIFICATION NUMBER	M	
7402	Identification number	M an..35	

Description: This segment contains identification numbers pertaining to the packaging unit and -level defined in the PAC segment.

Example: GIN+BJ+11111'

Segment description

Number	No	Segment	St	Max rep.	Level	Name
0550		SG15	C	9999	2	LIN-PIA-IMD-QTY-SG16-SG23
This segment group contains the segments LIN, PIA, QTY and DTM as well as segment groups 16 and 23, providing information re items despatched (line items).						
0560	33	LIN	M	1	2	Line item data

Tag	Name	St	Format	Use/annotations
LIN				
1082	LINE ITEM NUMBER	M	n..6	The positions in the Despatch Advice are consecutively numbered throughout the entire message.
1229		N		Not used in the subset.
C212	PRODUCT IDENTIFICATION	M		
7140	Goods/service number	M	an..35	Item number issued by supplier
7143	Goods/service number type, coded	M	an..3	The following codes are available: EN GTIN MF article number assigned by supplier Transmission of the item number that was transferred in the order (GTIN or supplier's article number).

Description: This segment identifies an item delivered.

Example: LIN+9++4012345000009:EN'

Segment description

Number	No	Segment	St	Max rep.	Level	Name
0550		SG15	C	9999	2	LIN-PIA-IMD-QTY-SG16-SG23
This segment group contains the segments LIN, PIA, QTY and DTM as well as segment groups 16 and 23, providing information re items despatched (line items).						
0570	34	PIA	C	10	3	Additional product identification

Tag	Name	St	Format	Use/annotations
PIA				
4347	PRODUCT IDENTIFICATION FUNCTION, CODED	M	an..3	Constant value: 1 additional identification
C212	PRODUCT IDENTIFICATION	M		
7140	Goods/service number	M	an..35	Number pertaining to the product
7143	Goods/service number, coded	M	an..3	The following codes are available: NB batch number SN serial number SNe first serial number (sequence of serial numbers) * SNI last serial number (sequence of serial numbers) * Codes marked * do not correspond to any UN/EDIFACT code list.
C212	PRODUKTIDENTIFICATION	C		
7140	Goods/service number	M	an..35	Number pertaining to the product
7143	Goods/service number, coded	M	an..3	The following codes are available: NB batch number SN serial number SNe first serial number (sequence of serial numbers) * SNI last serial number (sequence of serial numbers) * Codes marked * do not correspond to any UN/EDIFACT code list.
C212	PRODUKTIDENTIFICATION	C		
7140	Goods/service number	M	an..35	Number pertaining to the product
7143	Goods/service number, coded	M	an..3	The following codes are available: NB batch number SN serial number SNe first serial number (sequence of serial numbers) * SNI last serial number (sequence of serial numbers) * Codes marked * do not correspond to any UN/EDIFACT code list.
C212	PRODUKTIDENTIFICATION	C		
7140	Goods/service number	M	an..35	Number pertaining to the product
7143	Goods/service number, coded	M	an..3	The following codes are available: NB batch number SN serial number SNe first serial number (sequence of serial numbers) * SNI last serial number (sequence of serial numbers) * Codes marked * do not correspond to any UN/EDIFACT code list.
C212	PRODUKTIDENTIFICATION	C		
7140	Goods/service number	M	an..35	Number pertaining to the product
7143	Goods/service number, coded	M	an..3	The following codes are available: NB batch number SN serial number SNe first serial number (sequence of serial numbers) * SNI last serial number (sequence of serial numbers) * Codes marked * do not correspond to any UN/EDIFACT code list.

Description:

This segment is used to provide additional product identifications for the item at hand.

Example:

PIA+1+12345:NB+12345:NB+12345:NB+12345:NB+12345:NB'

Segment description

Number	No	Segment	St	Max rep.	Level	Name
0550		SG15	C	9999	2	LIN-PIA-IMD-QTY-SG16-SG23
This segment group contains the segments LIN, PIA, QTY and DTM as well as segment groups 16 and 23, providing information re items despatched (line items).						
0580	35	IMD	C	2	3	Item specification

Tag	Name	St	Format	Use/annotations
IMD				
7077		N		Not used in the subset.
7081		N		Not used in the subset.
C273	ITEM DESCRIPTION	M		
7009	Item description	M	an..17	The following codes are available: SP Specification of the item
1131		N		Not used in the subset.
3055		N		Not used in the subset.
7008	Item description	M	an..35	Characters 1-35.
7008	Item description	C	an..5	Characters 36-40.

Description: This segment is used in the absence of an article number, or if there is no unambiguous number. For item specification, 2*40 characters of item text are available by repeating the IMD segment twice.

Example: IMD+++SP:::example item example item example item'

Segment description

Number	No	Segment	St	Max rep.	Level	Name
0550		SG15	C	9999	2	LIN-PIA-IMD-QTY-SG16-SG23
This segment group contains the segments LIN, PIA, QTY and DTM as well as segment groups 16 and 23, providing information re items despatched (line items).						
0580	36	IMD	C	8	3	Additional text re the item

Tag	Name	St	Format	Use/annotations
IMD				
7077		N		Not used in the subset.
7081		N		Not used in the subset.
C273	ITEM DESCRIPTION	M		
7009	Item description	M	an..17	The following codes are available: ZU additional text referring to the line item
1131		N		Not used in the subset.
3055		N		Not used in the subset.
7008	Item description	M	an..35	Characters 1-35
7008	Item description	C	an..5	Characters 36-40

Description: This code is used if in addition to the article number and possibly an item text a verbal description of the item is required. In this case the IMD segment can be repeated up to eight times, with 40 characters each (i.e. a total of 320 characters). If possible, this segment should not be used as it requires manual processing of the message.

Example: IMD+++ZU::: example item example item example item'

Segment description

Number	No	Segment	St	Max rep.	Level	Name
0550		SG15	C	9999	2	LIN-PIA-IMD-QTY-SG16-SG23
This segment group contains the segments LIN, PIA, QTY and DTM as well as segment groups 16 and 23, providing information re items despatched (line items).						
0600	37	QTY	M	1	3	Quantity

Tag	Name	St Format	Use/annotations
QTY			
C186	QUANTITY	M	
6063	Quantity, qualifier	M an..3	Constant value: 12 quantity
6060	Quantity	M n..15	Quantity with three decimal places max.
6411	Measurement unit, qualifier	M an..3	The following codes are available: CMK square centimetre CMQ cubic centimetre CMT centimetre DZN dozen GRM gram HLT hectolitre HUR hour KGM kilogramme KTM kilometre LTR litre MIN minute MMT millimetre MTK square metre MTQ cubic metre MTR metre PAK pack PCE piece PR pair RO number of rolls SET set TNE metric ton UI unit of work

Description: In the QTY segment the quantity to be delivered and the measurement unit are transferred.

Implementation note: The measurement units should be in line with the systems used by the industry and wholesalers. It is recommended to carry out a master data matchup beforehand.

Example: QTY+12:9:CMK'

Segment description

Number	No	Segment	St	Max rep.	Level	Name
0710		SG16	C	3	3	RFF-DTM
This segment group contains the RFF segment. The group contains references regarding individual items.						
0720	38	RFF	M	1	3	Reference data

Tag	Name	St Format	Use/annotations
RFF			
C506	REFERENCE	M	
1153	Reference, qualifier	M an..3	The following codes are available: AAJ delivery note number AAY Despatch Advice number of the carrier ON order number of the wholesaler
1154	Reference number	M an..35	
1156	Line item number	C an..6	Number of the line item in the referenced document

Description: This segment provides all references that only refer to the item.

Implementation note: The code "AAJ" is required to provide clarity in case of inconsistencies between Despatch Advice and Incoming Goods.

Example: RFF+AAJ:1:1'

Segment description

Number	No	Segment	St	Max rep.	Level	Name
0710		SG16	C	3	3	RFF-DTM
This segment group contains the RFF segment. The group contains references regarding individual items.						
0750	39	DTM	C	1	4	Date/time/period specifications

Tag	Name	St	Format	Use/annotations
DTM				
C507	DATE/TIME/PERIOD SPECIFICATIONS	M		
2005	Date/time/period specifications, qualifier	M	an..3	The following codes are available: 171 reference date
2380	Date/time/period specifications	M	an..35	Date, formatted as defined in data element 2379
2379	Date/time/period specifications, format, qualifier	M	an..3	Constant value: 102 YYYYMMDD

Example: DTM+171:20150323:102'

Segment description

Number	No	Segment	St	Max rep.	Level	Name
1000		SG23	C	1	3	Partial delivery with subsequent delivery
This segment group contains the segments QVR and DTM to indicate variations in quantity and corresponding date specifications.						
1010	40	QVR	M	1	3	Variations in quantity

Tag	Name	St Format	Use/annotations
QVR			
C279	INFORMATION ABOUT QUANTITY VARIATION	C	
6064	Quantity variation	M n..15	Quantity with three decimal places max.
6063	Quantity, qualifier	M an..3	Constant value: 12 quantity
4221	Reason for variation in delivery quantity, coded	M an..3	The following codes are available: BP partial delivery, subsequent delivery to follow

Description: At this point partial deliveries and over-deliveries are indicated.

Annotation: In this segment the difference between quantity delivered and quantity ordered is stated.

Example: QVR+9:12+BP'

Segment description

Number	No	Segment	St	Max rep.	Level	Name
1000		SG23	C	1	3	Partial delivery with subsequent delivery
This segment group contains the segments QVR and DTM to indicate variations in quantity and corresponding date specifications.						
1020	41	DTM	C	1	4	Date/time/period specifications

Tag	Name	St Format	Use/annotations
DTM			
C507	DATE/TIME/PERIOD SPECIFICATIONS	M	
2005	Date/time/period specifications, qualifier	M an..3	Constant value: 58E date/time of following subsequent delivery* *Code does not correspond to any UN/EDIFACT code list.
2380	Date/time/period specifications	M an..35	Date, formatted as defined in data element 2379
2379	Date/time/period specifications, format, qualifier	M an..3	The following codes are available: 102 format: YYYYMMDD 616 format: YYYYWW

Description: This segment is used for date specifications regarding variations in quantity as defined in the preceding QVR segment.

Example: DTM+58E:20141014:102'

Segment description

Number	No	Segment	St	Max rep.	Level	Name
1000		SG23	C	1	3	Over-delivery/partial delivery without subsequent delivery
This segment group contains the segments QVR and DTM to indicate variations in quantity and corresponding date specifications.						
1010	42	QVR	M	1	3	Variations in quantity

Tag	Name	St Format	Use/annotations
QVR			
C279	INFORMATION ABOUT QUANTITY VARIATION	C	
6064	Quantity variation	M n..15	Quantity with three decimal places max.
6063	Quantity, qualifier	M an..3	Constant value: 12 quantity
4221	Reason for variation in delivery quantity, coded	M an..3	The following codes are available: AC over-delivery compared to quantity ordered CP partial delivery, regarded as complete delivery, no subsequent delivery

Description: At this point partial deliveries and over-deliveries are indicated.

Annotation: In this segment the difference between quantity delivered and quantity ordered is stated.

Example: QVR+9:12+AC'

Segment description

Number	No	Segment	St	Max rep.	Level	Name
1040	43	UNT	M	1	0	Message end segment

Tag	Name	St Format	Use/annotations
UNT			
0074	NUMBER OF SEGMENTS IN ONE MESSAGE	M n..6	Number of segments transferred in this message, incl. segments UNH and UNT.
0062	MESSAGE REFERENCE NUMBER	M an..14	The same reference number as in UNH/0062 has to be entered here. Upon receipt of message, this number will be compared with the entry in the segment UNH.

Description: In the UNT segment, the number of segments and a message reference number are transferred for a plausibility check.

Example: UNT+41+1'

Segment description

Number	No	Segment	St	Max rep.	Level	Name
0000	44	UNZ	M	1	0	User data end segment

Tag	Name	St Format	Use/annotations
UNZ			
0036	DATA EXCHANGE COUNTER	M n..6	Here the number of messages within the user data frame UNB...UNZ is entered.
0020	DATA EXCHANGE REFERENCE	M an..14	Here the same reference number as in UNB/0020 Has to be entered. Upon receipt of the user data frame, this number is compared to the entry in the segment UNB.

Description: In the UNZ segment a data exchange counter and a data exchange reference can be transferred.

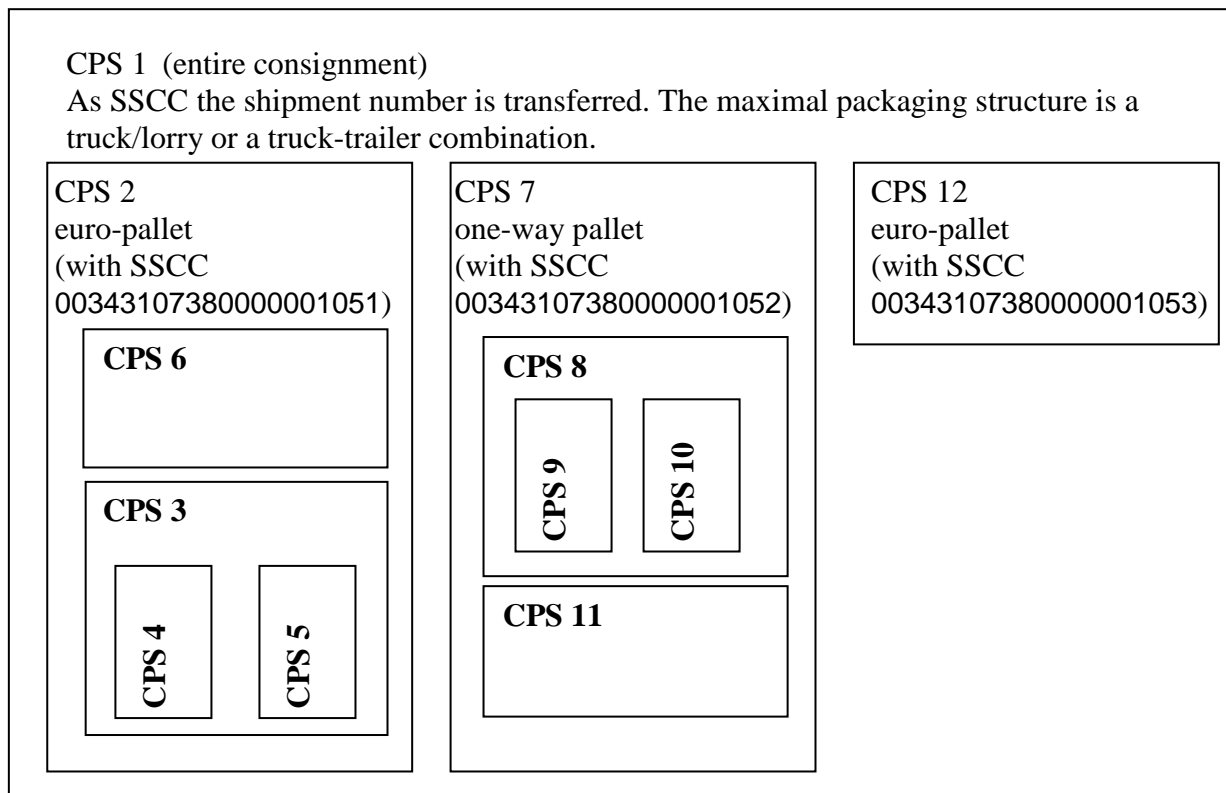
Example: UNZ+1+1'

Example messages

Comprehensive example

Examples CPS segment

Hierarchies are first displayed vertically, then horizontally (diagram to illustrate the procedure):



For CPS segment no. 28 (SG10)

Example 1:

CPS+1'	Unit 1 = consignment (truck/lorry)
CPS+2+1'	Unit 2 (e.g. euro-pallet 1) on a truck/lorry
CPS+3+2'	Unit 3 (e.g. box 1) on euro-pallet 1
CPS+4+3'	Unit 4 (e.g. cardboard box 1) in box 1 on euro-pallet 1
CPS+5+3'	Unit 5 (e.g. cardboard box 2) in box 1 on euro-pallet 1
CPS+6+2'	Unit 6 (e.g. box 2) on euro-pallet 1
CPS+7+1'	Unit 7 (e.g. one-way pallet) on a truck/lorry
CPS+8+7'	Unit 8 (e.g. cardboard box 1) on a one-way pallet
CPS+9+8'	Unit 9 (e.g. small parcel 1) in box 1 on a one-way pallet
CPS+10+8'	Unit 10 (e.g. small parcel 2) in box 1 on a one-way pallet
CPS+11+7'	Unit 11 (e.g. cardboard box 2) on a one-way pallet
CPS+12+1'	Unit 12 (e.g. euro-pallet 2) on a truck/lorry
CPS... etc.	Unit ... etc.

Example messages

Example 2:

CPS+1'	Unit 1 = consignment (truck/lorry)
CPS+2+1'	Unit 2 (e.g. euro-pallet 1) on a truck/lorry
CPS+5+2'	Unit 5 (e.g. box 1) on euro-pallet 1
CPS+9+5'	Unit 9 (e.g. cardboard box 1) in box 1 on euro-pallet 1
CPS+10+5'	Unit 10 (e.g. cardboard box 2) in box 1 on euro-pallet 1
CPS+6+2'	Unit 6 (e.g. box 2) on euro-pallet 1
CPS+3+1'	Unit 3 (e.g. one-way pallet) on a truck/lorry
CPS+7+3'	Unit 7 (e.g. cardboard box 1) on a one-way pallet
CPS+11+7'	Unit 11 (e.g. small parcel 1) in box 1 on a one-way pallet
CPS+12+7'	Unit 12 (e.g. small parcel 2) in box 1 on a one-way pallet
CPS+8+3'	Unit 8 (e.g. cardboard box 2) on a one-way pallet
CPS+4+1'	Unit 4 (e.g. euro-pallet 2) on a truck/lorry
CPS... etc.	Unit ... etc.

In both cases the hierarchy numbering has to be unambiguous, consecutive, and without overlap.

For CPS segment no. 28 (SG10) – PAC segment no. 29 (SG11) – MEA segment no. 30 (SG11)

CPS+1'	Unit 1 = consignment (truck/lorry)
PAC+3'	Number of units in the consignment (level 0)
MEA+AAE+BW+KG:1250,750'	Overall weight of the consignment
CPS+2+1'	Unit 2 on a truck/lorry (level 1)
PAC+1++PN'	Type of unit ("PN" = euro-pallet)
MEA+AAE+BW+KG:500,000'	Overall weight of euro-pallet 1
MEA+AAE+WD+CMK:80'	Width of euro-pallet 1
MEA+AAE+LN+CMK:120'	Length of euro-pallet 1
MEA+AAE+HT+CMK:200'	Height of euro-pallet 1
MEA+AAE+ABJ+MTQ:1,92'	Volume of euro-pallet 1
CPS+3+2'	Unit 3 on euro-pallet 1 (level 2)
PAC+1++CF'	Type of unit ("CF" = box)
MEA... etc.	Measurements and weights of unit ... etc.
CPS+4+3'	Unit 4 in box 1 on euro-pallet 1 (level 3)
PAC+1++CT'	Type of unit ("CT" = cardboard box)
MEA... etc.	Measurements and weights of unit ... etc.
CPS+5+3'	Unit 5 in box 1 on euro-pallet 1 (level 3)
PAC+1++CT'	Type of unit ("CT" = cardboard box)
MEA... etc.	Measurements and weights of unit ... etc.
CPS+6+2'	Unit 6 on euro-pallet 1 (level 2)
PAC+1++CF'	Type of unit ("CF" = box)
MEA... etc.	Measurements and weights of unit ... etc.
CPS+7+1'	Unit 7 on a truck/lorry (level 1)
PAC+1++PG'	Type of unit ("PG" = one-way pallet)
MEA+AAE+BW+KG:250,750'	Overall weight of the one-way pallet
MEA+AAE+WD+CMK:100'	Width of the one-way pallet
MEA+AAE+LN+CMK:240'	Length of the one-way pallet
MEA+AAE+HT+CMK:125'	Height of the one-way pallet
MEA+AAE+ABJ+MTQ:3'	Volume of the one-way pallet
CPS+8+7'	Unit 8 on a one-way pallet (level 2)
PAC+1++CT'	Type of unit ("CT" = cardboard box)
MEA... etc.	Measurements and weights of unit ... etc.
CPS+9+8'	Unit 9 in cardboard box 1 on a one-way pallet (level 3)
PAC+1++PA'	Type of unit ("PA" = small parcel)
MEA... etc.	Measurements and weights of unit ... etc.
CPS+10+8'	Unit 10 in cardboard box 1 on a one-way pallet (level 3)

Example messages

PAC+1++PA'	Type of unit ("PA" = small parcel)
MEA... etc.	Measurements and weights of unit ... etc.
CPS+11+7'	Unit 11 on a one-way pallet (level 2)
PAC+1++CT'	Type of unit ("CT" = cardboard box)
MEA... etc.	Measurements and weights of unit ... etc.
CPS+12+1'	Unit 12 on a truck/lorry (level 1)
PAC+1++PN'	Type of unit ("PN" = euro-pallet 2)
MEA+AAE+BW+KG:500,000'	Overall weight of euro-pallet 2
MEA+AAE+WD+CMK:80'	Width of euro-pallet 2
MEA+AAE+LN+CMK:120'	Length of euro-pallet 2
MEA+AAE+HT+CMK:200'	Height of euro-pallet 2
MEA+AAE+ABJ+MTQ:1,92'	Volume of euro-pallet 2
CPS... etc.	Unit ... etc.
PAC... etc.	Type of unit ... etc.
MEA... etc.	Measurements and weights of unit ... etc.

For CPS segment no. 28 (SG10) – PAC segment no. 29 (SG11) – MEA segment no. 30 (SG11) – PCI segment no. 31 (SG13) – GIN segment no. 32 (SG14)

CPS+1'	Unit 1 = consignment (truck/lorry)
PAC+3'	Number of units in the consignment (level 0)
MEA+AAE+BW+KG:1250,750'	Overall weight of the consignment
CPS+2+1'	Unit 2 on a truck/lorry (level 1)
PAC+1++PN'	Type of unit ("PN" = euro-pallet)
MEA+AAE+BW+KG:500,000'	Overall weight of euro-pallet 1
MEA+AAE+WD+CMK:80'	Width of euro-pallet 1
MEA+AAE+LN+CMK:120'	Length of euro-pallet 1
MEA+AAE+HT+CMK:200'	Height of euro-pallet 1
MEA+AAE+ABJ+MTQ:1,92'	Volume of euro-pallet 1
PCI+33E'	Information re labelling of the unit (here: SSCC labelling)
GIN+BJ+00343107380000001051'	SSCC with data designator of the unit
CPS+3+2'	Unit 3 on euro-pallet 1 (level 2)
PAC+1++CF'	Type of unit ("CF" = box)
MEA... etc.	Measurements and weights of unit ... etc.
PCI... etc.	Information re labelling of the unit (here: SSCC labelling)
GIN... etc.	SSCC with data designator of the unit
CPS+4+3'	Unit 4 in box 1 on euro-pallet 1 (level 3)
PAC+1++CT'	Type of unit ("CT" = cardboard box)
MEA... etc.	Measurements and weights of unit ... etc.
PCI... etc.	Information re labelling of the unit (here: SSCC labelling)
GIN... etc.	SSCC with data designator of the unit
CPS+5+3'	Unit 5 in box 1 on euro-pallet 1 (level 3)
PAC+1++CT'	Type of unit ("CT" = cardboard box)
MEA... etc.	Measurements and weights of unit ... etc.
PCI... etc.	Information re labelling of the unit (here: SSCC labelling)
GIN... etc.	SSCC with data designator of the unit
CPS+6+2'	Unit 6 on euro-pallet 1 (level 2)
PAC+1++CF'	Type of unit ("CF" = box)
MEA... etc.	Measurements and weights of unit ... etc.
PCI... etc.	Information re labelling of the unit (here: SSCC labelling)
GIN... etc.	SSCC with data designator of the unit
CPS+7+1'	Unit 7 on a truck/lorry (level 1)
PAC+1++PG'	Type of unit ("PG" = one-way pallet)
MEA+AAE+BW+KG:250,750'	Overall weight of the one-way pallet
MEA+AAE+WD+CMK:100'	Width of the one-way pallet

Example messages

MEA+AAE+LN+CMK:240'	Length of the one-way pallet
MEA+AAE+HT+CMK:125'	Height of the one-way pallet
MEA+AAE+ABJ+MTQ:3'	Volume of the one-way pallet
PCI+33E'	Information re labelling of the unit (here: SSCC labelling)
GIN+BJ+00343107380000001052'	SSCC with data designator of the unit
CPS+8+7'	Unit 8 on a one-way pallet (level 2)
PAC+1++CT'	Type of unit ("CT" = cardboard box)
MEA... etc.	Measurements and weights of unit ... etc.
PCI... etc.	Information re labelling of the unit (here: SSCC labelling)
GIN... etc.	SSCC with data designator of the unit
CPS+9+8'	Unit 9 in cardboard box 1 on a one-way pallet (level 3)
PAC+1++PA'	Type of unit ("PA" = small parcel)
MEA... etc.	Measurements and weights of unit ... etc.
PCI... etc.	Information re labelling of the unit (here: SSCC labelling)
GIN... etc.	SSCC with data designator of the unit
CPS+10+8'	Unit 10 in cardboard box 1 on a one-way pallet (level 3)
PAC+1++PA'	Type of unit ("PA" = small parcel)
MEA... etc.	Measurements and weights of unit ... etc.
PCI... etc.	Information re labelling of the unit (here: SSCC labelling)
GIN... etc.	SSCC with data designator of the unit
CPS+11+7'	Unit 11 on a one-way pallet (level 2)
PAC+1++CT'	Type of unit ("CT" = cardboard box)
MEA... etc.	Measurements and weights of unit ... etc.
PCI... etc.	Information re labelling of the unit (here: SSCC labelling)
GIN... etc.	SSCC with data designator of the unit
CPS+12+1'	Unit 12 on a truck/lorry (level 1)
PAC+1++PN'	Type of unit ("PN" = euro-pallet 2)
MEA+AAE+BW+KG:500,000'	Overall weight of euro-pallet 2
MEA+AAE+WD+CMK:80'	Width of euro-pallet 2
MEA+AAE+LN+CMK:120'	Length of euro-pallet 2
MEA+AAE+HT+CMK:200'	Height of euro-pallet 2
MEA+AAE+ABJ+MTQ:1,92'	Volume of euro-pallet 2
PCI+33E'	Information re labelling of the unit (here: SSCC labelling)
GIN+BJ+00343107380000001053'	SSCC with data designator of the unit
CPS... etc.	Unit ... etc.
PAC... etc.	Type of unit ... etc.
MEA... etc.	Measurements and weights of unit ... etc.
PCI... etc.	Information re labelling of unit ... etc.
GIN... etc.	SSCC with data designator of unit ... etc.