

Guidelines of implementation

EDIFACT-SUBSET

EDITEC

INVRPT



INVRPT

Version 4.0

Table of contents

Introduction.....	3
General notes	4
Explanatory notes on the Inventory Report	4
References in the messages.....	5
Instructions for usage	7
Message structure.....	8
Message structure diagram	9
Segment descriptions	13
Comprehensive example.....	42
Example messages	42
Detailed examples.....	44

Introduction

This EDIFACT subset "Inventory Report" has been prepared by ITEK on behalf of the Arbeitsgemeinschaft Neue Medien der deutschen Sanitärindustrie e.V. and the Deutscher Großhandelsverband Haustechnik e.V.

ITEK
Technologiepark 13
33100 Paderborn

Phone no.: +49 52 51 16 14 –0
Facsimile no.: +49 52 51 16 14 –99
E-mail: editec@itekmbh.de

The EDIFACT subset is based on the EDIFACT syntax version 3 and the following public documents:

- EDIFACT – Standardized message type "INVRPT"
- UN/EDIFACT Directory 96B, UN/ECE/TRADE/WP.4
- EDIFACT - Service Segments Application Guidelines, Draft DIN 16560 - Part 1, February 1994
- UN/EDIFACT code list D.97A

Paderborn, June 2015

Explanatory notes on the Inventory Report

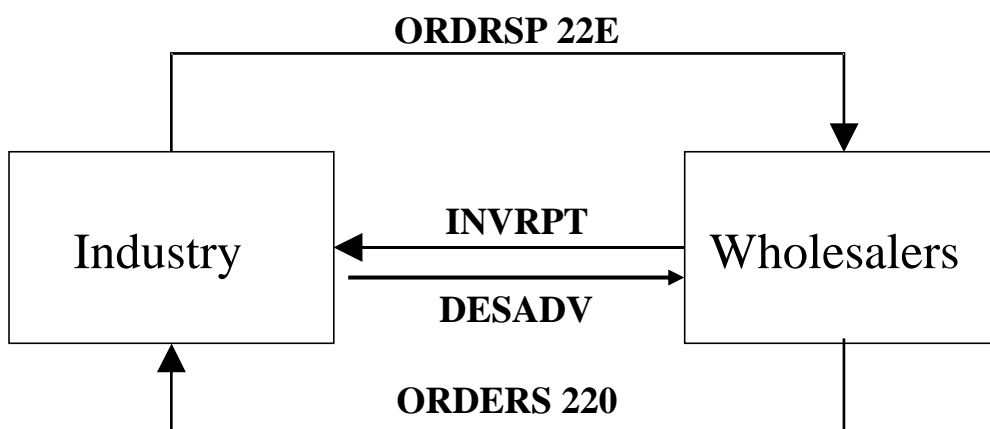
General notes

The Inventory Report is used to transfer inventory data from the wholesaler to the manufacturer for a range of products previously agreed upon by wholesaler and manufacturer. A prerequisite for using the Inventory report is the use of the DESADV Despatch Advice or the ORDRSP Order Response (version 3.1 or higher).

The aim is that manufacturers will carry out the stocking up on the agreed range based on the information transferred in the Inventory Report message. Hence, the scheduling for this range of products will be done by the manufacturer.

This fundamental alteration to the flow of the business process will affect other messages. Orders regarding the agreed range will not be placed by the wholesaler any more, but the Despatch Advice or the Order Response will be sent by the manufacturer.

The following operational sequence applies to the process of automatic stock management by the manufacturer:



By means of the INVRPT the wholesaler can transfer an order number in the head section of the INVRPT to the manufacturer, in addition to the quantity information in the RFF segment. This order number is reserved in the wholesaler's system for an order to be generated by the manufacturer based on the values transferred in the INVRPT.

The demand identified by the manufacturer will not be shown to the wholesaler by a separate ORDERS message, but by DESADV or by an Order Response with code 22E in the BGM segment. The order number in the ORDRSP message will be the same as the one transferred by the wholesaler in the INVRPT. If the wholesaler fails to transfer an order number in the INVRPT, an order number will be generated at the manufacturer's.

The original EDITEC-ORDRSP 3.0 message has been supplemented by the qualifier 22E in the BGM segment.

Explanatory notes on the Inventory Report

The INVRPT does not provide any information on time requirements on the wholesaler's part. The wholesaler can now transfer his open customer orders (e.g. orders placed with the wholesaler by the trade) to the manufacturer. For this, code 220 has been included in the BGM in the ORDERS message. This code indicates that the ORDERS constitutes a customer order placed with the wholesaler. An ORDERS with code 220 in the BGM segment will therefore not generate any immediate movement of goods but serves information purposes only.

If the INVRPT is used to transfer the "open orders (stock orders) (code 73)" instead of the "quantity of goods received (Code 48)", the status of open orders placed with the industry by the wholesaler can be transferred additionally as ORDERS with code "248". Based on this information the industry will be able to determine the open roll stock.

References in the messages

INVRPT example message:

UNA:+.?'
UNB+UNOC:3+X:52+Y:65+010308:1107+123+X'
UNH+111111111+INVRPT:D:96B:UN'
BGM+35+0815'
DTM+137:20001222:102'
RFF+ACE: 01321864864 '
NAD+SU+4300001000009::9++Institut für Technologietransfer:in der elektronischen Kommunikation+Technologiepark 19+Paderborn++33100+DE'
CTA++:MrMiller'
LIN+1++4312345123459:EN'
PIA+1+123456:MF'
QTY+145:9:PCE'
DTM+50:20011222:102'
QTY+48:3:PCE'
QTY+216:25:PCE'
UNT+13+111111111'
UNZ+1+123'

Explanatory notes on the Inventory Report

ORDRSP example message as sent to the wholesaler by the manufacturer based on the Inventory Reports:

UNA:+.? '
UNB+UNOC:3+Y:65+X:52+010308:1107+123'
UNH+1+ORDRSP:D:96B:UN:DESN11'
BGM+22E+123456'
DTM+4:20010308:102'
DTM+2:20010311:102'
RFF+VN: 01321864864 '
NAD+SU+4300001000009::9++Institut für Technologietransfer:in der elektronischen Kommunikation+Technologiepark 19+Paderborn++33100+DE'
LIN+1++4312345123459:EN'
QTY+12:10:PCE'
UNT+12+1'
UNZ+1+123'

Instructions for usage

Maximal number of repetitions possible (the mandatory field always refers to the segment and not to the maximal rate of repetitions)

Nummer	Nr	Segment	St	MaxWdh.	Ebene	Name
0210		SG5	C	1	2	CTA-COM
Diese Segmentgruppe enthält das CTA-Segment zur Angabe eines Ansprechpartners.						

0220	19	CTA	M	1	2	Kommunikationspartner
------	----	------------	---	---	---	-----------------------

Segment identifier

Segment status
(M=Mandatory/C=Conditional)

Segment name

Data element identifier

3139			N			Wird im Subset nicht benutzt.
------	--	--	---	--	--	-------------------------------

This is a data element which is not used in the subset. Yet it is positioned either as a data element on data element group level or within a data element group between two data elements used in the subset. At the stage of the implementation, these data elements do not have to be taken into account.

Data element group identifier

Data element group name

Data element group status

C056	ABTEILUNGS- ODER BEARBEITERANGABEN		C			
3413			N			Wird im Subset nicht benutzt.

Data element identifier in a data element group

Data element name

Data element status

3412	Abteilung oder Bearbeiter	C an.35				Name des Sachbearbeiters.
------	---------------------------	---------	--	--	--	---------------------------

Alphanumeric with a maximum length of 35 characters; at fixed length the dots “..” are omitted; also: a=alphabetic and n=numeric.

Details on the usage of particular elements in the subset

Message structure

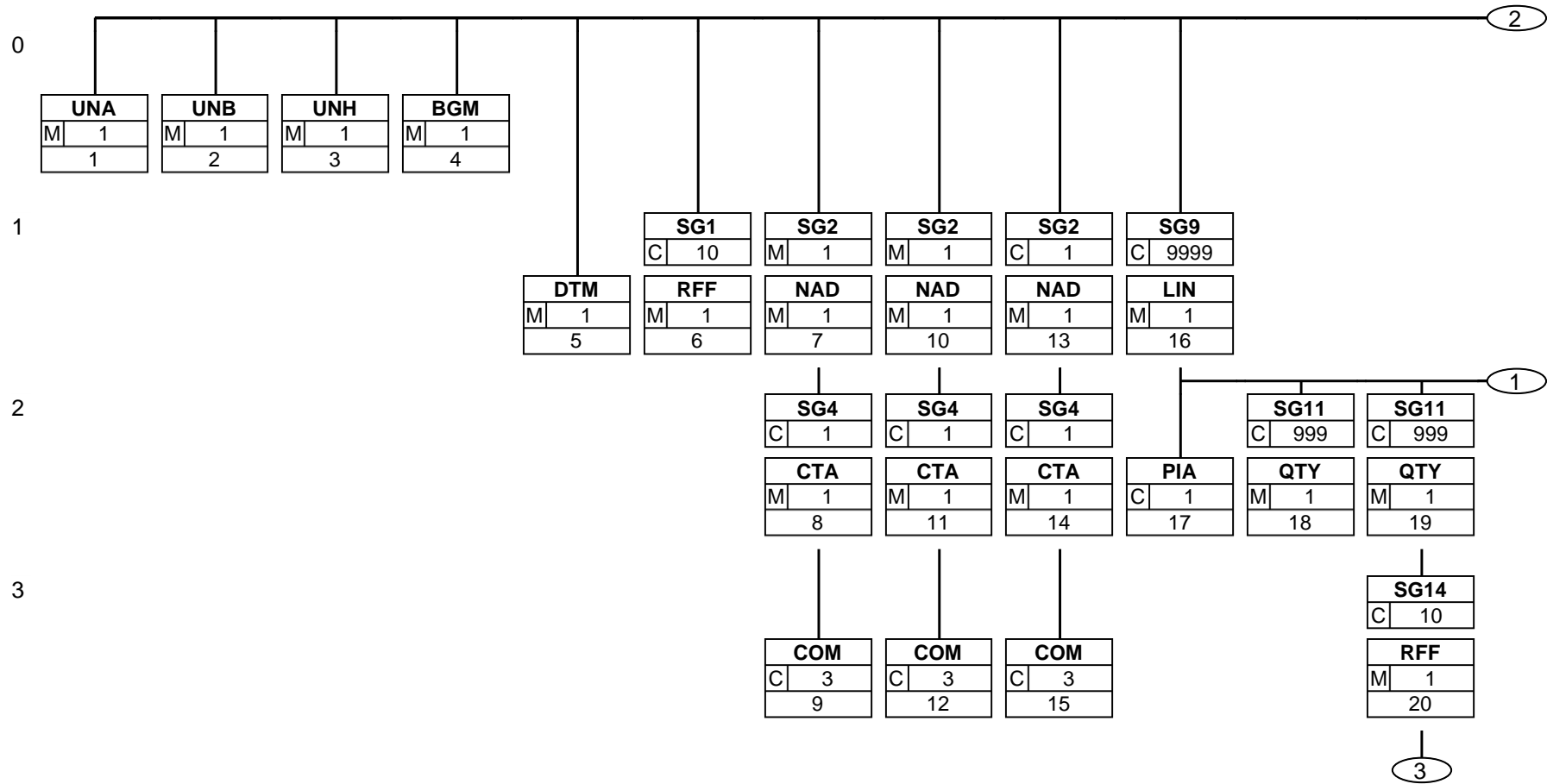
UNA	1	M	1	- Separator default
UNB	2	M	1	- User data head segment
UNH	3	M	1	- Message header
BGM	4	M	1	- Beginning of message
DTM	5	M	1	- Date/time/period data
SG1		C	10	- RFF
RFF	6	M	1	- Reference data
SG2		M	1	- Wholesaler
NAD	7	M	1	- Name and address
SG4		C	1	- CTA-COM
CTA	8	M	1	- Communication partner
COM	9	C	3	- Communication link
SG2		M	1	- Supplier
NAD	10	M	1	- Name and address
SG4		C	1	- CTA-COM
CTA	11	M	1	- Communication partner
COM	12	C	3	- Communication link
SG2		C	1	- Consignee
NAD	13	M	1	- Name and address
SG4		C	1	- CTA-COM
CTA	14	M	1	- Communication partner
COM	15	C	3	- Communication link
SG9		C	9999	- LIN-PIA-SG11-SG11-SG11-SG11
LIN	16	M	1	- Line item data
PIA	17	C	1	- Additional product information
SG11		C	999	- Quantities without date/time/period data
QTY	18	M	1	- Quantity
SG11		C	999	- Open orders
QTY	19	M	1	- Quantity
SG14		C	10	- RFF-DTM
RFF	20	M	1	- Reference data
DTM	21	C	1	- Date/time/period data
SG11		C	999	- Goods receipt quantity / sales quantity
QTY	22	M	1	- Quantity
DTM	23	M	2	- Date/time/period data
SG11		C	999	- Relocation
QTY	24	M	1	- Quantity
INV	25	M	1	- Stock management data
LOC	26	M	5	- Location information
DTM	27	M	1	- Date/time/period data
UNT	28	M	1	- Message end segment
UNZ	29	M	1	- User data end segment

St = Status

EDIFACT: M= Mandatory, C=Conditional

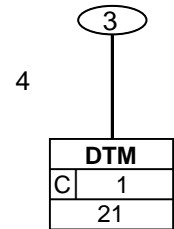
Application: R=Required, O=Optional, D=Dependent, A=Advised, N=Not used, X= Not used

Message structure diagram

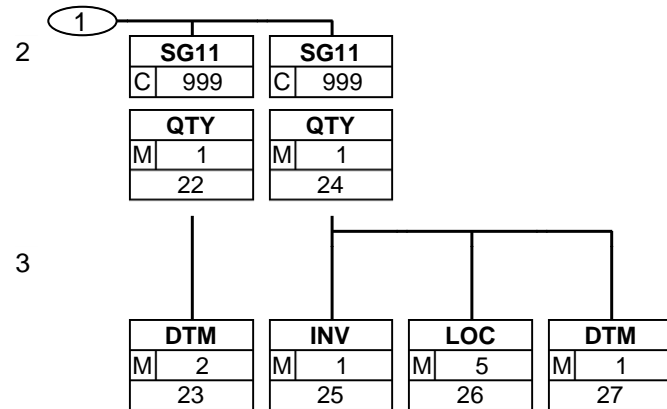


Status: M=Mandatory, C=Conditional, R=Required, O=Optional, D=Dependent, A=Advised, N=Not used, X=Not used

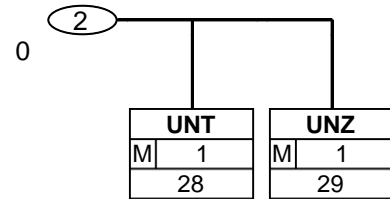
Message structure diagram



Message structure diagram



Message structure diagram



Segment descriptions

Number	No	Segment	St	Max rep.	Level	Name
--------	----	---------	----	----------	-------	------

0000	1	UNA	M	1	0	Separator default
------	---	------------	---	---	---	-------------------

Tag	Name	St	Format	Use/annotations
UNA				
UNA1	: separator	M	an1	Separates data elements in a data element group : constant
UNA2	+ separator	M	an1	Separates segment designations, data element groups und data elements + constant
UNA3	, decimal marker (comma)	M	an1	, constant
UNA4	? release indicator	M	an1	Restores the original meaning of the mark that follows the release indicator. ? constant
UNA5	blank space	M	an1	Reserved for later applications
UNA6	' segment terminator	M	an1	' constant

Description: In the UNA segment, separators, decimal marks, and release indicators are predefined. These marks are defined only once and apply to the following messages until they are revoked. Consequently, they will not be transferred furthermore.

Example: UNA:+, ? ' '

Segment descriptions

Number	No	Segment	St	Max rep.	Level	Name
--------	----	---------	----	----------	-------	------

0000	2	UNB	M	1	0	User data head segment
------	---	------------	---	---	---	------------------------

Tag	Name	St	Format	Use/annotations
UNB				
S001	SYNTAX -DESIGNATOR	M		
0001	Syntax identification	M	a4	Constant value: UNOC EDIFACT syntax character set C
0002	Syntax version number	M	n1	Constant value: 3 EDIFACT syntax version 3
S002	SENDER OF THE INTERCHANGE FILE	M		
0004	Sender designation	M	an..35	Identifier of the sender (e. g. identification number in the Telebox400)
0007	Participant designation, qualifier	M	an..4	This data element serves for the definite specification of the participants. The following codes are available: 65 Telebox400 (Deutsche Telekom) ZZZ other network operators 14 sender GLN SHK SHK mail
S003	RECIPIENT OF THE INTERCHANGE FILE	M		
0010	Recipient designation	M	an..35	Identifier of the recipient (e. g. identification number in the Telebox400)
0007	Participant designation, qualifier	M	an..4	This data element serves for the definite specification of the participants. The following codes are available: 65 Telebox400 (Deutsche Telekom) ZZZ other network operators 14 recipient GLN SHK SHK-Mail
S004	DATE/TIME OF CREATION	M		
0017	Date of creation	M	n6	Date of the creation of the message on the side of the sender in YYMMDD Format (this Format is prescribed by the EDIFACT application guideline for service segments).
0019	Time of creation	M	n4	Format: HHMM
0020	DATA EXCHANGE REFERENCE	M	an..14	Number for each communication address (X.400, Provider, ...) and message type, rising in ascending order. The data exchange reference number serves as a plausibility test for the identification of double transfers and failed transfers. This task is being fulfilled by the converter.
S005		N		
0022		N		Not used in the subset.
0026		N		Not used in the subset.
0029		N		Not used in the subset.
0031		N		Not used in the subset.
0032		N		Not used in the subset.
0035	Test indicator	C	n1	Test indicator

Description:

In the UNB segment, specifications re syntax, sender/recipient of the transfer file, the date and time of its creation, and a data transfer reference are transferred. A recipient password may also be transferred as an option.

Example:

UNB+UNOC:3+4098765432111:14+4012345678911:14+150310:1500+T636051+++++1'

Segment descriptions

Number	No	Segment	St	Max rep.	Level	Name
0010	3	UNH	M	1	0	Message head segment

Tag	Name	St	Format	Use/annotations
UNH				
0062	MESSAGE REFERENCE NUMBER	M	an..14	In each transfer file, every message is consistently numbered in ascending order, beginning with "1". This task is being fulfilled by the converter.
S009	MESSAGE IDENTIFICATION	M		
0065	Message type identification	M	an..6	Constant value: INVRPT INVENTORY REPORT
0052	Version number of the message type	M	an..3	Constant value: D Draft version/UN/EDIFACT Directory
0054	Release number of the message type	M	an..3	Constant value: 96B UN/EDIFACT Draft Directory D.96B
0051	Administrative organization, coded	M	an..2	UN United Nations UN/ECE/TRADE/WP.4
0057	Application code of the competent organisation	M	an..6	Constant value: ITEK40 Version 4.0

Description: In the UNH segment, a message is identified unambiguously. The EDITEC Subset "Inventory Report" is based on the message type "INVRPT".

Example: UNH+1+INVRPT:D:96B:UN:ITEK40'

Segment descriptions

Number	No	Segment	St	Max rep.	Level	Name
0020	4	BGM	M	1	0	Beginning of message

Tag	Name	St	Format	Use/annotations
BGM				
C002	DOCUMENT/MESSAGE NAME	M		
1001	Document/message name, coded	M	an..3	<p>33E Inventory situation report (NO replenishment delivery)</p> <p>35 Inventory Report</p> <p>35E Inventory Report from industry to commerce (separate code)</p> <p>By means of the code "33E" the wholesaler can additionally transfer inventory data regarding articles that are not participating in the LO-GH-IN procedure (automatic scheduling between wholesaler and industry). In this way storage transparency can also be generated for these articles.</p> <p>Alternatively, all articles participating in the LO-GH-IN procedure as well as those not participating in the LO-GH-IN procedure can be transferred in a transfer file with the code "35".</p>
C106	DOCUMENT/MESSAGE IDENTIFICATION	M		
1004	Document/message number	M	an..35	Number of the Inventory Report

Description: In the BGM segment, the purpose and name of the message are defined.

Example: BGM+35+9121'

Segment descriptions

Number	No	Segment	St	Max rep.	Level	Name
0040	5	DTM	M	1	1	Date/time/period data

Tag	Name	St Format	Use/annotations
DTM			
C507	DATE/TIME/PERIOD DATA	M	
2005	Date/time/period data, qualifier	M an..3	137 document/message date
2380	Date/time/period data	M an..35	Date, formatted as defined in data element 2379.
2379	Date/time/period data, format, qualifier	M an..3	102 YYYYMMDD

Example: DTM+137:20150423:102'

Segment descriptions

Number	No	Segment	St	Max rep.	Level	Name
0050		SG1	C	10	1	RFF
<p>The wholesaler's transaction number is an order number generated by the manufacturer reserved for orders that the wholesaler is supposed to transfer with this message. If a reserved order number is transferred here, the manufacturer will have to send it back with the next Order Response. If no order number is transferred by the wholesaler, the manufacturer will have to generate an order number. No order number is required though for the transfer of the DESADV.</p>						
0060	6	RFF	M	1	1	Reference data

Tag	Name	St	Format	Use/annotations
RFF				
C506	REFERENCE DATA		M	
1153	Reference, qualifier		M an..3	ACE Wholesaler's transaction number
1154	Reference number		M an..35	Reference number or specification referring to the qualifier selected in data element 1153.

Example: RFF+ACE:0123/456789'

Segment descriptions

Number	No	Segment	St	Max rep.	Level	Name
0080		SG2	M	1	1	Wholesaler
This segment group encompasses the NAD segment as well as segment group 4. It serves for the indication of the partners and places.						
0090	7	NAD	M	1	1	Name and address

Tag	Name	St	Format	Use/annotations
NAD				
3035	PARTNER, QUALIFIER	M	an..3	WS Wholesaler
C082	IDENTIFICATION OF THE PARTNER	M		
3039	Partner identification number, coded	M	an..35	In relation to the qualifier stated above, the identification number of the partner will be provided here.
1131		N		Not used in the subset.
3055	Administrative organization, coded	M	an..3	The following codes are available: 9 GLN (GS1 as the German issuer of the GLN numbers) ZZZ bilaterally agreed upon (customer- and supplier numbers)
C058		N		
3124		N		Not used in the subset.
C080	NAME OF THE PARTNER	C		
3036	Name of the partner	M	an..35	Name 1 of the partner.
3036	Name of the partner	C	an..35	Name 2 of the partner.
C059	STREET	C		
3042	Street and house number	M	an..35	
3164	PLACE	C	an..35	
3229		N		Not used in the subset.
3251	POSTAL CODE/ZIP CODE	C	an..9	
3207	COUNTRY, CODED	C	an..3	The most important country codes according to ISO 3166: BE Belgium BG Bulgaria DK Denmark DE Germany FI Finland FR France GR Greece GB Great Britain IE Ireland IT Italy CA Canada LU Luxembourg NL Netherlands NO Norway AT Austria PT Portugal SE Sweden CH Switzerland ES Spain TR Turkey US USA

Description: In the NAD segment, data for the identification of the parties involved as well as important address details are transferred.

Example: NAD+WS+4098765432111::9++Joe:Sample+Any Street 16+Any City++12345+DE'

Segment descriptions

Number	No	Segment	St	Max rep.	Level	Name
0140		SG4	C	1	2	CTA-COM
This segment group contains the CTA segment to indicate a contact person.						
0150	8	CTA	M	1	2	Communication partner

Tag	Name	St	Format	Use/annotations
CTA				
3139		N		Not used in the subset.
C056	DEPARTMENT OR EMPLOYEE DETAILS	M		
3413		N		Not used in the subset.
3412	Department or person responsible	M	an..35	Name of the person responsible

Description: In the CTA segment, the name of the person responsible for the transaction at the partner's is transferred.

Example: CTA++:Joe Sample'

Segment descriptions

Number	No	Segment	St	Max rep.	Level	Name
0140		SG4	C	1	2	CTA-COM
This segment group contains the CTA segment to indicate a contact person.						
0160	9	COM	C	3	3	Communication link

Tag	Name	St Format	Use/annotations
COM			
C076	COMMUNICATION LINK	M	
3148	Communication number	M an..512	
3155	Communication channel/service, qualifier	M an..3	EM E-Mail FX Facsimile TE Telephone

Description: A segment for the indication of the communication number and -type of the person responsible or department referred to in the CTA segment.

Example: COM+joe_sample@e_mail.de:EM'

Segment descriptions

Number	No	Segment	St	Max rep.	Level	Name
0080		SG2	M	1	1	Supplier
This segment group encompasses the NAD segment as well as segment group 4. It serves for the indication of the partners and places.						
0090	10	NAD	M	1	1	Name and address

Tag	Name	St	Format	Use/annotations
NAD				
3035	PARTNER, QUALIFIER	M	an..3	SU Supplier
C082	IDENTIFICATION OF THE PARTNER	M		
3039	Partner identification number, coded	M	an..35	In relation to the qualifier stated above, the identification number of the partner will be provided here.
1131		N		Not used in the subset.
3055	Administrative organization, coded	M	an..3	The following codes are available: 9 GLN (GS1 as the German issuer of the GLN numbers) ZZZ bilaterally agreed upon (customer- and supplier numbers)
C058		N		
3124		N		Not used in the subset.
C080	NAME OF THE PARTNER	C		
3036	Name of the partner	M	an..35	Name 1 of the partner.
3036	Name of the partner	C	an..35	Name 2 of the partner.
C059	STREET	C		
3042	Street and house number	M	an..35	
3164	PLACE	C	an..35	
3229		N		Not used in the subset.
3251	POSTAL CODE/ZIP CODE	C	an..9	
3207	COUNTRY, CODED	C	an..3	The most important country codes according to ISO 3166: BE Belgium BG Bulgaria DK Denmark DE Germany FI Finland FR France GR Greece GB Great Britain IE Ireland IT Italy CA Canada LU Luxembourg NL Netherlands NO Norway AT Austria PT Portugal SE Sweden CH Switzerland ES Spain TR Turkey US USA

Description: In the NAD segment, data for the identification of the parties involved as well as important address details are transferred.

Example: NAD+SU+4012345678911:::9++Any Company:Ltd+Any Street 17+Berlin++00000+DE'

Segment descriptions

Number	No	Segment	St	Max rep.	Level	Name
0140		SG4	C	1	2	CTA-COM
This segment group contains the CTA segment to indicate a contact person.						
0150	11	CTA	M	1	2	Communication partner

Tag	Name	St	Format	Use/annotations
CTA				
3139		N		Not used in the subset.
C056	DEPARTMENT OR EMPLOYEE DETAILS	M		
3413		N		Not used in the subset.
3412	Department or person responsible	M	an..35	Name of the person responsible for the transaction

Description: In the CTA segment, the name of the person responsible for the transaction at the partner's is transferred.

Example: CTA++:Joe Sample'

Segment descriptions

Number	No	Segment	St	Max rep.	Level	Name
0140		SG4	C	1	2	CTA-COM
This segment group contains the CTA segment to indicate a contact person.						
0160	12	COM	C	3	3	Communication link

Tag	Name	St Format	Use/annotations
COM			
C076	COMMUNICATION LINK	M	
3148	Communication number	M an..512	
3155	Communication channel/service, qualifier	M an..3	EM E-Mail FX Facsimile TE Telephone

Description: A segment for the indication of the communication number and -type of the person responsible or department referred to in the CTA segment.

Example: COM+joe_sample@e_mail.de:EM'

Segment descriptions

Number	No	Segment	St	Max rep.	Level	Name
0080		SG2	C	1	1	Consignee
This segment group encompasses the NAD segment as well as segment group 4. It serves for the indication of the partners and places.						
0090	13	NAD	M	1	1	Name and address

Tag	Name	St	Format	Use/annotations
NAD				
3035	PARTNER, QUALIFIER	M	an..3	DP Consignee wholesaler
C082	IDENTIFICATION OF THE PARTNER	M		
3039	Partner identification number, coded	M	an..35	In relation to the qualifier stated above, the identification number of the partner will be provided here.
1131		N		Not used in the subset.
3055	Administrative organization, coded	M	an..3	The following codes are available: 9 GLN (GS1 as the German issuer of the GLN numbers) ZZZ bilaterally agreed upon (customer- and supplier numbers)
C058		N		
3124		N		Not used in the subset.
C080	NAME OF THE PARTNER	M		
3036	Name of the partner	M	an..35	Name 1 of the partner.
3036	Name of the partner	C	an..35	Name 2 of the partner.
C059	STREET	M		
3042	Street and house number	M	an..35	
3164	PLACE	M	an..35	
3229		N		Not used in the subset.
3251	POSTAL CODE/ZIP CODE	M	an..9	
3207	COUNTRY, CODED	M	an..3	The most important country codes according to ISO 3166: BE Belgium BG Bulgaria DK Denmark DE Germany FI Finland FR France GR Greece GB Great Britain IE Ireland IT Italy CA Canada LU Luxembourg NL Netherlands NO Norway AT Austria PT Portugal SE Sweden CH Switzerland ES Spain TR Turkey US USA

Description: In the NAD segment, data for the identification of the parties involved as well as important address details are transferred.

Example: NAD+DP+401234500009::9++Joe:Sample+Any Street 16+Any City++12345+DE'

Segment descriptions

Number	No	Segment	St	Max rep.	Level	Name
0140		SG4	C	1	2	CTA-COM
This segment group contains the CTA segment to indicate a contact person.						
0150	14	CTA	M	1	2	Communication partner

Tag	Name	St	Format	Use/annotations
CTA				
3139		N		Not used in the subset.
C056	DEPARTMENT OR EMPLOYEE DETAILS	M		
3413		N		Not used in the subset.
3412	Department or person responsible	M	an..35	Name of the person responsible for the transaction

Description: In the CTA segment, the name of the person responsible for the transaction at the partner's is transferred.

Example: CTA++:Joe Sample'

Segment descriptions

Number	No	Segment	St	Max rep.	Level	Name
0140		SG4	C	1	2	CTA-COM
This segment group contains the CTA segment to indicate a contact person.						
0160	15	COM	C	3	3	Communication link

Tag	Name	St	Format	Use/annotations
COM				
C076	COMMUNICATION LINK	M		
3148	Communication number	M	an..512	
3155	Communication channel/service, qualifier	M	an..3	
				EM E-Mail FX Facsimile TE Telephone

Description: A segment for the indication of the communication number and -type of the person responsible or department referred to in the CTA segment.

Example: COM+joe_sample@e_mail.de:EM'

Segment descriptions

Number	No	Segment	St	Max rep.	Level	Name
0290		SG9	C	9999	1	LIN-PIA-SG11
0300	16	LIN	M	1	1	Line item data

Tag	Name	St Format	Use/annotations
LIN			
1082	LINE ITEM NUMBER	M n..6	Ascending numbering
1229		N	Not used in the subset.
C212	GOODS/SERVICE IDENTIFICATION	M	
7140	Goods/service number	M an..35	Line item number
7143	Goods/service number type, coded	M an..3	EN GTIN MF article number assigned by supplier

Description: In the LIN segment, line items are transferred in ascending order (line item number).

Example: LIN+1++333942:MF'

Segment descriptions

Number	No	Segment	St	Max rep.	Level	Name
0290		SG9	C	9999	1	LIN-PIA-SG11
0310	17	PIA	C	1	2	Additional product information

Tag	Name	St	Format	Use/annotations
PIA				
4347	PRODUCT IDENTIFICATION FUNCTION, CODED	M	an..3	1 additional product information
C212	GOODS/SERVICE NUMBER IDENTIFICATION	M		
7140	Goods/service number	M	an..35	Article number assigned by wholesaler
7143	Goods/service number, coded	M	an..3	BP article number assigned by wholesaler
C212	GOODS/SERVICE NUMBER IDENTIFICATION	C		
7140	Goods/service number	M	an..35	Storage location at the wholesaler's; usage has to be agreed upon bilaterally.
7143	Goods/service number, coded	M	an..3	XLO bilaterally agreed upon, here: storage location at the wholesaler's (separate code)
C212	GOODS/SERVICE NUMBER IDENTIFICATION	C		
7140	Goods/service number	M	an..35	Storage location at the wholesaler's; usage has to be agreed upon bilaterally.
7143	Goods/service number, coded	M	an..3	XLP bilaterally agreed upon, here: storage location at the wholesaler's (separate code)
C212	GOODS/SERVICE NUMBER IDENTIFICATION	C		
7140	Goods/service number	C	an..35	GTIN / EAN
7143	Goods/service number, coded	C	an..3	EN GTIN

Example:

PIA+1+123456:BP+1723-15-16:XLO+1002:XLP+4012345000021:EN'

Segment descriptions

Number	No	Segment	St	Max rep.	Level	Name
0420		SG11	C	999	2	Quantities without date/time/period data
0430	18	QTY	M	1	2	Quantity

Tag	Name	St	Format	Use/annotations
QTY				
C186	QUANTITY	M		
6063	Quantity, qualifier	M	an..3	98 maximum stock 97 minimum stock 143 backlog (immediate delivery required) 145 inventory (physical stock) 216 quantity reserved 230 monthly requirements (separate code) 48I relocation to the industry/return goods
6060	Quantity	M	n..15	Quantity of the item ordered, with three decimal places max.
6411	Measurement unit, qualifier	M	an..3	CMK square centimetre CMQ cubic centimetre CMT centimetre DZN dozen GRM gram HLT hectolitre HUR hour KGM kilogramme KTM kilometre LTR litre MIN minute MMT millimetre MTK square metre MTQ cubic metre MTR metre PAK pack PCE piece PR pair RO number of rolls SET set TNE metric ton

Description: In the QTY segment, inventory quantities are transferred.

Example: QTY+98:5,00:PCE'

Segment descriptions

Number	No	Segment	St	Max rep.	Level	Name
0420		SG11	C	999	2	Open orders
0430	19	QTY	M	1	2	Quantity

Tag	Name	St Format	Use/annotations
QTY			
C186	QUANTITY	M	
6063	Quantity, qualifier	M an..3	73 open orders (stock orders)
6060	Quantity	M n..15	Quantity of the item ordered, with three decimal places max.
6411	Measurement unit, qualifier	M an..3	CMK square centimetre CMQ cubic centimetre CMT centimetre DZN dozen GRM gram HLT hectolitre HUR hour KGM kilogramme KTM kilometre LTR litre MIN minute MMT millimetre MTK square metre MTQ cubic metre MTR metre PAK pack PCE piece PR pair RO number of rolls SET set TNE metric ton

Description: In the QTY segment, inventory quantities are transferred.

Example: QTY+73:10,00:PCE'

Segment descriptions

Number	No	Segment	St	Max rep.	Level	Name
0560		SG14	C	10	3	RFF-DTM
0570	20	RFF	M	1	3	Reference data

Tag	Name	St	Format	Use/annotations
RFF				
C506	REFERENCE DATA	M		
1153	Reference, qualifier	M	an..3	Constant value: ON wholesaler's order number
1154	Reference number	C	an..35	
1156	Order item	C	an..6	

Example: RFF+ON:ABC123:1'

Segment descriptions

Number	No	Segment	St	Max rep.	Level	Name
0560		SG14	C	10	3	RFF-DTM
0580	21	DTM	C	1	4	Date/time/period data

Tag	Name	St	Format	Use/annotations
DTM				
C507	DATE/TIME/PERIOD DATA	M		
2005	Date/time/period data, qualifier	M	an..3	The following codes are available: 137 document/message date
2380	Date/time/period data	C	an..35	Date, formatted as defined in data element 2379.
2379	Date/time/period data, format, qualifier	C	an..3	Constant value: 102 YYYYMMDD

Example: DTM+137:20150403:102'

Segment descriptions

Number	No	Segment	St	Max rep.	Level	Name
0420		SG11	C	999	2	Goods receipt quantity / sales quantity
0430	22	QTY	M	1	2	Quantity

Tag	Name	St Format	Use/annotations
QTY			
C186	QUANTITY	M	
6063	Quantity, qualifier	M an..3	48 goods receipt quantity 153 sales quantity
6060	Quantity	M n..15	Quantity of the item ordered, with three decimal places max.
6411	Measurement unit, qualifier	M an..3	CMK square centimetre CMQ cubic centimetre CMT centimetre DZN dozen GRM gram HLT hectolitre HUR hour KGM kilogramme KTM kilometre LTR litre MIN minute MMT millimetre MTK square metre MTQ cubic metre MTR metre PAK pack PCE piece PR pair RO number of rolls SET set TNE metric ton

Description: In the QTY segment, inventory quantities are transferred.

Example: QTY+48:10,00:PCE'

Segment descriptions

Number	No	Segment	St	Max rep.	Level	Name
0420		SG11	C	999	2	Goods receipt quantity / sales quantity
0470	23	DTM	M	2	3	Date/time/period data

Tag	Name	St	Format	Use/annotations
DTM				
C507	DATE/TIME/PERIOD DATA	M		
2005	Date/time/period data, qualifier	M	an..3	90 beginning reporting period 91 end reporting period
2380	Date/time/period data	M	an..35	Date, formatted as defined in data element 2379.
2379	Date/time/period data, format, qualifier	M	an..3	102 YYYYMMDD

Example: DTM+90:20150420:102'

Segment descriptions

Number	No	Segment	St	Max rep.	Level	Name
0420		SG11	C	999	2	Relocation
0430	24	QTY	M	1	2	Quantity

Tag	Name	St	Format	Use/annotations
QTY				
C186	QUANTITY		M	
6063	Quantity, qualifier		M an..3	48Z quantity transferred, incoming 48A quantity transferred, outgoing 47A planned outward goods movement relocation trade 47Z planned inward goods movement relocation requesting wholesaler's warehouse
6060	Quantity		M n..15	Quantity of the item ordered, with three decimal places max.
6411	Measurement unit, qualifier		M an..3	CMK square centimetre CMQ cubic centimetre CMT centimetre DZN dozen GRM gram HLT hectolitre HUR hour KGM kilogramme KTM kilometre LTR litre MIN minute MMT millimetre MTK square metre MTQ cubic metre MTR metre PAK pack PCE piece PR pair RO number of rolls SET set TNE metric ton

Description: In the QTY segment, inventory quantities are transferred.

Example: QTY+48Z:10,00:PCE'

Segment descriptions

Number	No	Segment	St	Max rep.	Level	Name
0420		SG11	C	999	2	Relocation
0440	25	INV	M	1	3	Stock management data

Tag	Name	St Format	Use/annotations
INV			
4501	DIRECTION OF STOCK MOVEMENT, CODIERT	M AN..1	1 outward stock movement 2 inward stock movement

Example:

INV+1'

Segment descriptions

Number	No	Segment	St	Max rep.	Level	Name
0420		SG11	C	999	2	Relocation
0460	26	LOC	M	5	3	Location information

Tag	Name	St Format	Use/annotations
LOC			
3227	LOCATION, QUALIFIER	M an..3	249 storage location
C517	LOCATION	M	
3225	Location	M an..25	Identification of location
1131		N	Not used in the subset.
3055	Administrative organization, coded	M an..3	ZZZ bilaterally agreed upon 14 GLN
3224	Location	M an..70	Textual indication of the location

Description: In the LOC segment the point of sale has to be transferred.

Example: LOC+249+Ort::14:GLN receiving house'

Segment descriptions

Number	No	Segment	St	Max rep.	Level	Name
0420		SG11	C	999	2	Relocation
0470	27	DTM	M	1	3	Date/time/period data

Tag	Name	St	Format	Use/annotations
DTM				
C507	DATE/TIME/PERIOD DATA	M		
2005	Date/time/period data, qualifier	M	an..3	50 date of goods movement
2380	Date/time/period data	M	an..35	Date, formatted as defined in data element 2379.
2379	Date/time/period data, format, qualifier	M	an..3	102 YYYYMMDD

Example: DTM+50:20150423:102'

Segment descriptions

Number	No	Segment	St	Max rep.	Level	Name
0700	28	UNT	M	1	0	Message end segment

Tag	Name	St	Format	Use/annotations
UNT				
0074	NUMBER OF SEGMENTS IN ONE MESSAGE	M	n..6	Number of segments transferred in this message, incl. segments UNH and UNT.
0062	MESSAGE REFERENCE NUMBER	M	an..14	The same reference number as in UNH / 0062 has to be entered here. Upon receipt of message, this number will be compared with the entry in the segment UNH.

Description: In the UNT segment, the number of segments and a message reference number are transferred for a plausibility check.

Example: UNT+26+1'

Segment descriptions

Number	No	Segment	St	Max rep.	Level	Name
0000	29	UNZ	M	1	0	User data end segment

Tag	Name	St	Format	Use/annotations
UNZ				
0036	DATA EXCHANGE COUNTER	M	n..6	Here the number of messages within the user data frame UNB...UNZ is entered.
0020	DATA EXCHANGE REFERENCE	M	an..14	Here the same reference number as in UNB / 0020 has to be entered. Upon receipt of the user data frame, this number is compared to the entry in the segment UNB.

Description: In the UNZ segment, a data exchange counter and a data exchange reference can be transferred.

Example: UNZ+1+T636051'

Example messages

Comprehensive example

UNA:+,?'
UNB+UNOC:3+4098765432111:14+4012345678911:14+150310:1500+T636051'
UNH+1+INVRPT:D:96B:UN:ITEK40'
BGM+35+9121'
DTM+137:20150423:102'
RFF+ACE:0123/456789'
NAD+WS+4098765432111::9'
CTA++:Joe Sample'
COM+joe_sample@e_mail.de:EM'
NAD+SU+4012345678911::9++Any Company:Ltd+Any Street 17+Berlin++00000+DE'
LIN+1++333942:MF'
PIA+1+123456:BP+1723-15-16:XLO+1002:XLP'
QTY+98:5,00:PCE'
QTY+97:10,00:PCE'
QTY+145:20,00:PCE'
LIN+2++4000000333943:EN'
PIA+1+123458:BP+1723-15-16:XLO+1003:XLP'
QTY+145:2,00:PCE'
QTY+48I:3,00:PCE'
LIN+3++333944:MF'
PIA+1+123459:BP+1723-15-16:XLO+1004:XLP'
QTY+145:2,00:PCE'
QTY+73:10,00:PCE'
RFF+ON:ABC123:1'
DTM+137:20150403:102'
LIN+4++333945:MF'
PIA+1+123460:BP+1723-15-16:XLO+1005:XLP'
QTY+145:15,00:PCE'
QTY+48:10,00:PCE'
DTM+90:20150420:102'
DTM+91:20150420:102'
LIN+5++333946:MF'
PIA+1+123461:BP+1723-15-16:XLO+1006:XLP'
QTY+145:15,00:PCE'
QTY+48A:10,00:PCE'
INV+1'
LOC+249+Ort::14:GLN receiving house'
DTM+50:20150423:102'
LIN+6++333947:MF'
PIA+1+123462:BP+1723-15-16:XLO+1007:XLP'
QTY+145:30,00:PCE'
QTY+48Z:10,00:PCE'
INV+2'
LOC+249+Ort::14:GLN releasing house'
DTM+50:20150423:102'
LIN+7++333948:MF'
PIA+1+123463:BP+1723-15-16:XLO+1008:XLP'
QTY+145:22,00:PCE'
QTY+47A:10,00:PCE'
INV+1'

Example messages

LOC+249+Ort::14:GLN receiving house'
DTM+50:20150423:102'
LIN+8++333949:MF'
PIA+1+123464:BP+1723-20-25:XLO+1001:XLP'
QTY+145:22,00:PCE'
QTY+47Z:10,00:PCE'
INV+2'
LOC+249+Ort::14:GLN releasing house'
DTM+50:20150427:102'
LIN+9++333949:MF'
PIA+1+123465:BP+1723-20-25:XLO+1002:XLP'
QTY+145:25,00:PCE'
QTY+153:40,00:PCE'
DTM+90:20150301:102'
DTM+91:20150331:102'
LIN+9++333950:MF'
PIA+1+123466:BP+1723-20-25:XLO+1003:XLP'
QTY+145:100,00:PCE'
QTY+216:40,00:PCE'
UNT+68+1'
UNZ+1+T636051'

Example messages

Detailed examples

Example Min/Max

LIN+1++333942:MF'
PIA+1+Article number at the wholesaler:BP+storage location:XLO+storage place:XLP'
QTY+98:5,00:PCE'
QTY+97:10,00:PCE'
QTY+145:20,00:PCE'

Example Relocation to the industry

LIN+2++4000000333943:EN'
PIA+1+Article number at the wholesaler:BP+storage location:XLO+storage place:XLP'
QTY+145:2,00:PCE'
QTY+48I:3,00:PCE'

Example Open purchase order quantity

LIN+3++333944:MF'
PIA+1+Article number at the wholesaler:BP+storage location:XLO+storage place:XLP'
QTY+145:2,00:PCE'
QTY+73:10,00:PCE'
RFF+ON:ABC123:1'
DTM+137:20150403:102'

Example Goods receipt

LIN+4++333945:MF'
PIA+1+Article number at the wholesaler:BP+storage location:XLO+storage place:XLP'
QTY+145:15,00:PCE'
QTY+48:10,00:PCE'
DTM+90:20150420:102'
DTM+91:20150420:102'

Example Relocation quantity outward movement

LIN+5++333946:MF'
PIA+1+Article number at the wholesaler:BP+storage location:XLO+storage place:XLP'
QTY+145:15,00:PCE'
QTY+48A:10,00:PCE'
INV+1'
LOC+249+Ort::14:GLN receiving house'
DTM+50:20150423:102'

Example messages

Example Relocation quantity inward movement

LIN+6++333947:MF'
PIA+1+Article number at the wholesaler:BP+storage location:XLO+storage place:XLP'
QTY+145:30,00:PCE'
QTY+48Z:10,00:PCE'
INV+2'
LOC+249+Ort::14:GLN releasing house'
DTM+50:20150423:102'

Example Planned relocation quantity outward movement

LIN+7++333948:MF'
PIA+1+Article number at the wholesaler:BP+storage location:XLO+storage place:XLP'
QTY+145:22,00:PCE'
QTY+47A:10,00:PCE'
INV+1'
LOC+249+Ort::14:GLN receiving house'
DTM+50:20150423:102'

Example Planned relocation quantity inward movement

LIN+8++333949:MF'
PIA+1+Article number at the wholesaler:BP+storage location:XLO+storage place:XLP'
QTY+145:22,00:PCE'
QTY+47Z:10,00:PCE'
INV+2'
LOC+249+Ort::14:GLN releasing house'
DTM+50:20150427:102'

Example Sales quantity

LIN+9++333949:MF'
PIA+1+Article number at the wholesaler:BP+storage location:XLO+storage place:XLP'
QTY+145:25,00:PCE'
QTY+153:40,00:PCE'
DTM+90:20150301:102'
DTM+91:20150331:102'

Example Reservation

LIN+9++333950:MF'
PIA+1+Article number at the wholesaler:BP+storage location:XLO+storage place:XLP'
QTY+145:100,00:PCE'
QTY+216:40,00:PCE'