

Guidelines of implementation

EDIFACT-SUBSET

EDITEC

INVOIC



INVOIC

Version 4.1

Table of contents

Introduction.....	3
Message structure.....	4
Message structure diagram.....	6
Segment descriptions	11

no = consecutive segment number in the Guidelines
ID = object identifier

Introduction

This EDIFACT subset "Invoice" has been prepared by ITEK Service & Consulting GmbH on behalf of the Arbeitsgemeinschaft Neue Medien der deutschen Sanitärindustrie e.V. and the Deutscher Großhandelsverband Haustechnik e.V.

ITEK Service & Consulting GmbH
Technologiepark 8
33100 Paderborn
Germany

Phone no.: +49 52 51 16 14 0
Fax no.: +49 52 51 16 14 99
E-mail: info@itek.de

The EDIFACT subset is based on the EDIFACT syntax version 3 and the following public documents:

- EDIFACT – Standardized message type "INVOIC"
- UN/EDIFACT Directory 96B, UN/ECE/TRADE/WP.4
- EDIFACT - Service Segments Application Guidelines, Draft DIN 16560 - Part 1, February 1994
- UN/EDIFACT code list D.97A

Message structure

UNA	1	M	1	- Separator default
UNB	2	M	1	- User data head segment
UNH	3	M	1	- Message header
BGM	4	M	1	- Beginning of message
DTM	5	M	1	- Invoice- or credit note date
DTM	6	M	1	- Actual delivery date
DTM	7	C	1	- Date of message
FTX	8	C	10	- Standard texts due to legal requirements
FTX	9	C	10	- Free text
SG1		C	1	- Invoice- or credit note number
RFF	10	M	1	- Reference data
DTM	11	C	1	- Date/time/period data
SG1		C	1	- Supplier's receivables account number
RFF	12	M	1	- Reference data
SG2		M	1	- Manufacturer/supplier
NAD	13	M	1	- Name and address
SG3		M	2	- RFF
RFF	14	M	1	- Reference data
SG3		C	1	- RFF
RFF	15	M	1	- Reference data
SG5		C	1	- CTA-COM
CTA	16	M	1	- Communication partner
COM	17	C	3	- Communication link
SG2		M	1	- Invoicee
NAD	18	M	1	- Name and address
SG3		C	2	- RFF
RFF	19	M	1	- Reference data
SG2		C	4	- Partner
NAD	20	M	1	- Name and address
SG3		C	2	- RFF
RFF	21	M	1	- Reference data
SG5		C	1	- CTA-COM
CTA	22	M	1	- Communication partner
COM	23	C	3	- Communication link
SG6		C	5	- TAX
TAX	24	M	1	- Duty/tax/fee specifications
SG7		M	1	- CUX
CUX	25	M	1	- Value date details
SG8		C	6	- Value date
PAT	26	M	1	- Payment conditions
DTM	27	M	1	- Date/time/period specifications
SG8		C	6	- Discount
PAT	28	M	1	- Payment conditions
DTM	29	C	1	- Date/time/period specifications
PCD	30	C	1	- Percentages
SG8		C	1	- Net payment date
PAT	31	M	1	- Payment conditions
DTM	32	C	1	- Date/time/period specifications
SG25		C	9999	- LIN-PIA-IMD-IMD-IMD-QTY-ALI-DTM-GIN-FTX-FTX-SG27-SG28-SG29-SG29-SG29-SG29-SG33-SG38-SG38
LIN	33	M	1	- Line item data
PIA	34	C	1	- Additional product information
IMD	35	M	1	- Item description (mandatory)
IMD	36	C	1	- Item description

St = Status

EDIFACT: M= Mandatory, C=Conditional

Application: R= Required, O=Optional, D= Dependent, A= Advised, N= Not used, X= Not used

Message structure

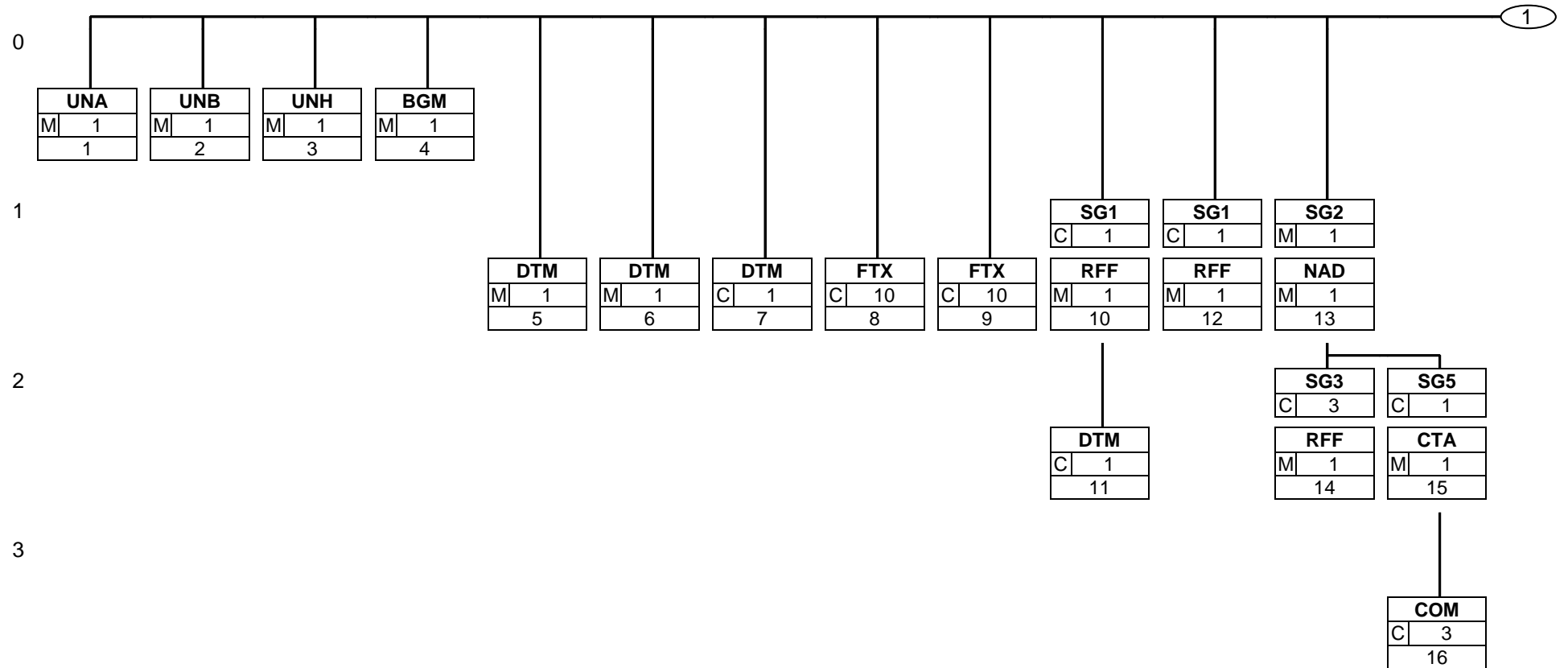
IMD	37	C	8	- Additional text referring to the line item
QTY	38	C	1	- Quantity
ALI	39	M	1	- Additional information
DTM	40	M	1	- Date/time/period specifications
GIN	41	C	1	- Goods identification number
FTX	42	C	1	- Invoice- or document text
FTX	43	C	1	- Reference to the reverse charge procedure
SG27		C	10	- PAT
└─PAT	44	M	1	- Payment conditions
SG28		M	2	- PRI
└─PRI	45	M	1	- Price information
SG29		C	1	- Order reference
└─RFF	46	M	1	- Reference data
└─DTM	47	C	1	- Date/time/period specifications
SG29		C	1	- Delivery note reference
└─RFF	48	M	1	- Reference data
└─DTM	49	C	1	- Date/time/period specifications
SG29		C	1	- Despatch Advice reference
└─RFF	50	M	1	- Reference data
└─DTM	51	C	1	- Date/time/period specifications
SG29		C	1	- Reference data without document/message date
└─RFF	52	M	1	- Reference data
SG33		C	99	- TAX-MOA
└─TAX	53	M	1	- Duty/tax/fee specifications
└─MOA	54	M	1	- Amount
SG38		C	1	- Multiplier
└─ALC	55	M	1	- Multiplier
└─SG40		M	1	- PCD
└─PCD	56	M	1	- Percentages
SG38		C	30	- Allowances and charges
└─ALC	57	M	1	- Allowances and charges
└─SG40		C	1	- PCD
└─PCD	58	M	1	- Percentages
└─SG41		C	1	- Amount
└─MOA	59	M	1	- Amount
└─SG41		C	1	- Allowance/charge calculation base
└─MOA	60	M	1	- Amount
UNS	61	M	1	- Section control segment
SG48		M	8	- MOA
└─MOA	62	M	1	- Amount
SG50		C	2	- TAX-MOA
└─TAX	63	M	1	- Duty/tax/fee specifications
└─MOA	64	M	1	- Amount
SG51		C	15	- ALC-MOA
└─ALC	65	M	1	- Increases/reductions and additional costs
└─MOA	66	C	1	- Amount
UNT	67	M	1	- Message end segment
UNZ	68	M	1	- User data end segment

St = Status

EDIFACT: M= Mandatory, C=Conditional

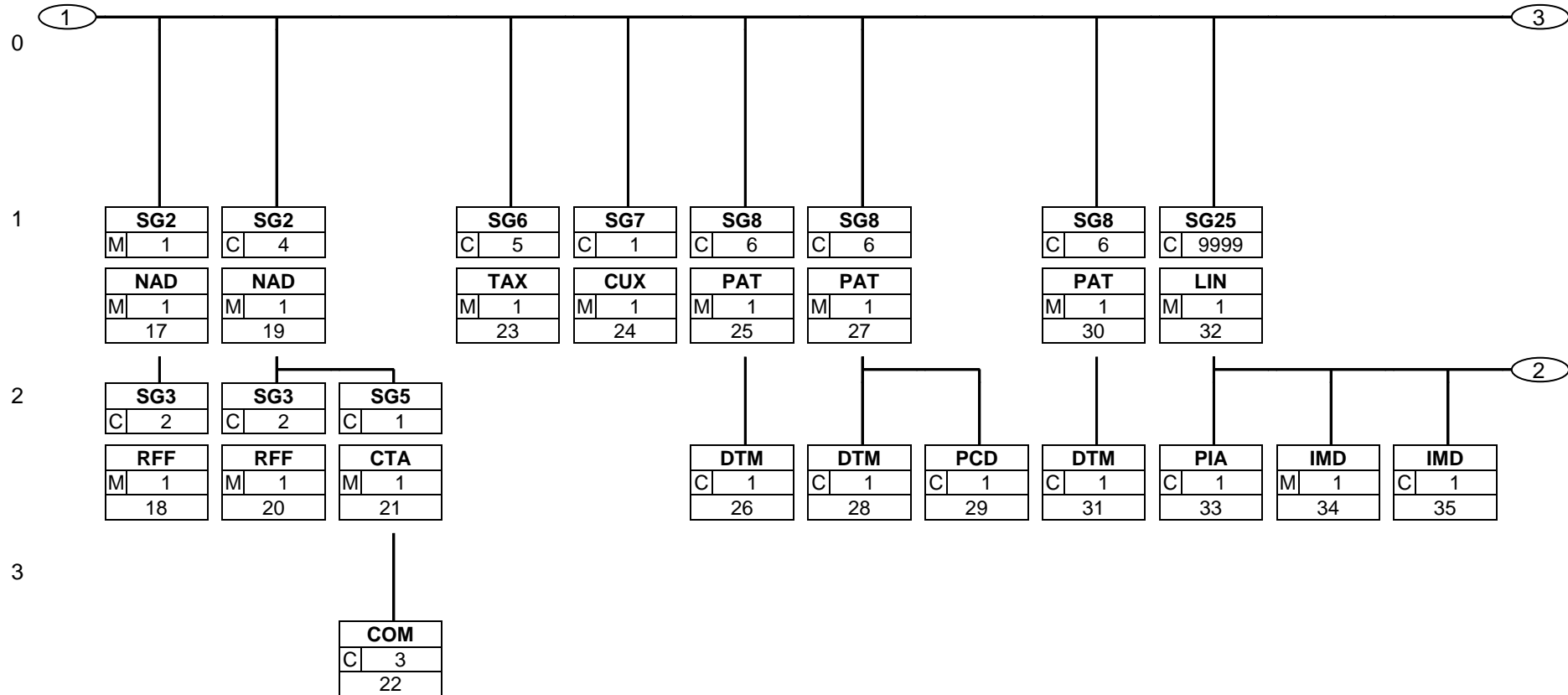
Application: R= Required, O=Optional, D= Dependent, A= Advised, N= Not used, X= Not used

Message structure diagram



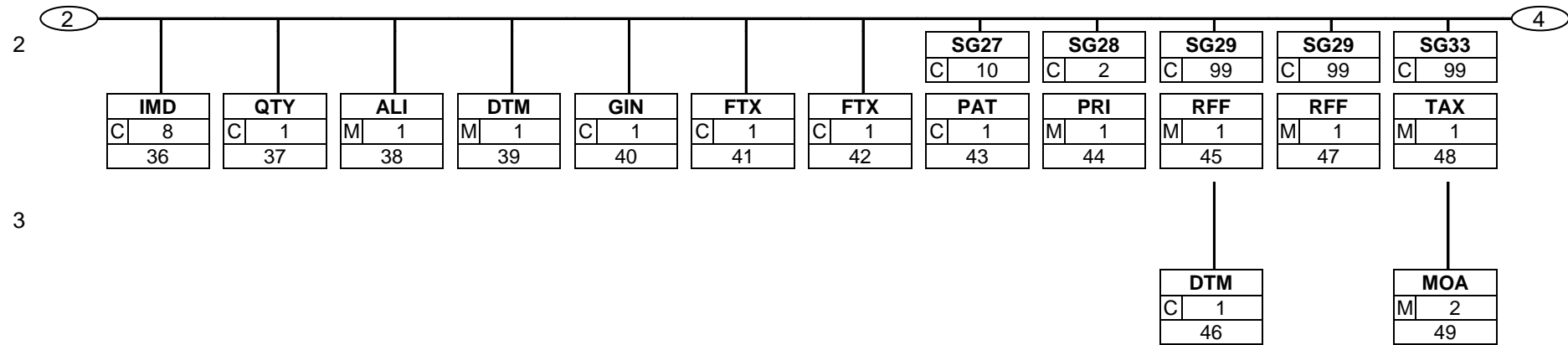
Status: M= Mandatory, C=Conditional, R= Required, O=Optional, D= Dependent, A= Advised, N= Not used, X= Not used

Message structure diagram



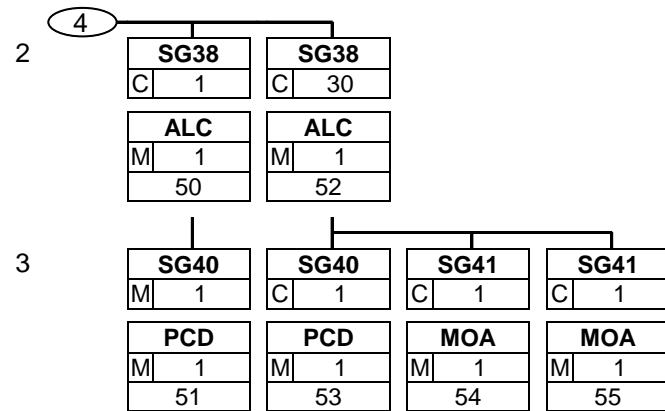
Status: M= Mandatory, C=Conditional, R= Required, O=Optional, D= Dependent, A= Advised, N= Not used, X= Not used

Message structure diagram



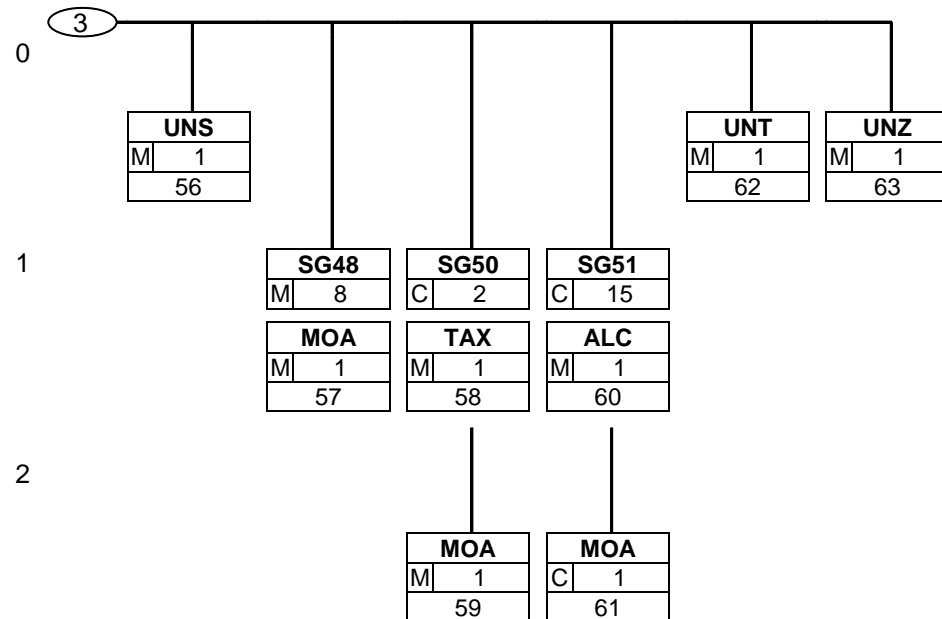
Status: M= Mandatory, C=Conditional, R= Required, O=Optional, D= Dependent, A= Advised, N= Not used, X= Not used

Message structure diagram



INVOIC

Message structure diagram



Status: M= Mandatory, C=Conditional, R= Required, O=Optional, D= Dependent, A= Advised, N= Not used, X= Not used

Segment descriptions

Number	No	Segment	St	Max rep.	Level	Name
0000	1	UNA	M	1	0	Separator default

Tag	Name	St	Format	Use/annotations
UNA				
UNA1	: separator	M	an1	Separates data elements in a data element group : constant
UNA2	+ separator	M	an1	Separates segment designations, data element groups and data elements + constant
UNA3	, decimal marker (comma)	M	an1	, constant
UNA4	? release indicator	M	an1	Restores the original meaning of the mark that follows the release indicator. ? constant
UNA5	blank space	M	an1	Reserved for later applications
UNA6	' segment terminator	M	an1	' constant

Description: In the UNA segment, separators, decimal marks, and release indicators are predefined. These marks are defined only once and apply to the following messages until they are revoked. Consequently, they will not be transferred furthermore.

Example: UNA:+, ? '

INVOIC

Segment descriptions

Number	No	Segment	St	Max rep.	Level	Name
--------	----	---------	----	----------	-------	------

0000	2	UNB	M	1	0	User data head segment
------	---	------------	---	---	---	------------------------

Tag	Name	St	Format	Use/annotations
UNB				
S001	SYNTAX -DESIGNATOR	M		
0001	Syntax identification	M	a4	Constant value: UNOC EDIFACT syntax character set C
0002	Syntax version number	M	n1	Constant value: 3 EDIFACT syntax version 3
S002	SENDER OF THE INTERCHANGE FILE	M		
0004	Sender designation	M	an..35	Identifier of the sender (e. g. identification number in the Telebox400)
0007	Participant designation, qualifier	M	an..4	This data element serves for the definite specification of the participants. The following codes are available: 65 sender Telebox400 user ZZZ sender (other network operators) 14 sender GLN SHK SHK mail
S003	RECIPIENT OF THE INTERCHANGE FILE	M		
0010	Recipient designation	M	an..35	Identifier of the recipient (e. g. identification number in the Telebox400)
0007	Participant designation, qualifier	M	an..4	This data element serves for the definite specification of the participants. The following codes are available: 65 recipient Telebox400 user ZZZ recipient (other network operators) 14 recipient GLN SHK SHK mail
S004	DATE/TIME OF CREATION	M		
0017	Date of creation	M	n6	Date of the creation of the message on the side of the sender in YYMMDD format (this format is prescribed by the EDIFACT application guideline for service segments).
0019	Time of creation	M	n4	Format: HHMM
0020	DATA EXCHANGE REFERENCE	M	an..14	Number for each communication address (X.400, Provider, ...) and message type, rising in ascending order. The data exchange reference number serves as a plausibility test for the identification of double transfers and failed transfers. This task is being fulfilled by the converter.
S005		N		
0022		N		Not used in the subset.
0026		N		Not used in the subset.
0029		N		Not used in the subset.
0031		N		Not used in the subset.
0032		N		Not used in the subset.
0035	Test indicator	C	n1	Test indicator

Description: In the UNB segment, specifications re syntax, sender/recipient of the transfer file, the date and time of its creation, and a data transfer reference are transferred. A recipient password may also be transferred as an option.

Example: UNB+UNOC:3+4012345000009:14+4012345000010:14+131011:1146+1+++++1'

Segment descriptions

Number	No	Segment	St	Max rep.	Level	Name
0010	3	UNH	M	1	0	Message head segment

Tag	Name	St	Format	Use/annotations
UNH				
0062	MESSAGE REFERENCE NUMBER	M	an..14	In each transfer file, every message is consistently numbered in ascending order, beginning with "1". This task is being fulfilled by the converter.
S009	MESSAGE IDENTIFICATION	M		
0065	Message type identification	M	an..6	Constant value: INVOIC Invoice
0052	Version number of the message type	M	an..3	Constant value: D Draft Directory
0054	Release number of the message type	M	an..3	Constant value: 96B UN/EDIFACT Draft Directory D.96B
0051	Administrative organization, coded	M	an..2	Constant value: UN United Nations UN/ECE/TRADE/WP.4
0057	Application code of the competent organization	M	an..6	Constant value: ITEK41 Version 4.1

Description: In the UNH segment, a message is identified unambiguously. The EDITEC Subset "Invoice" is based on the message type "INVOIC".

Example: UNH+1+INVOIC:D:96B:UN:ITEK41'

Segment descriptions

Number	No	Segment	St	Max rep.	Level	Name
0020	4	BGM	M	1	0	Beginning of message

Tag	Name	St	Format	Use/annotations
BGM				
C002	DOCUMENT/MESSAGE NAME	M		
1001	Document/message name, coded	M	an..3	The following codes are available: 380 invoice 381 credit note 31e service credit note * 32e service invoice *
C106	DOCUMENT/MESSAGE IDENTIFICATION	M		
1004	Document/message number	M	an..35	Invoice-, credit note- or cancellation number assigned by supplier
1225	MESSAGE FUNCTION, CODED	M	an..3	The following codes are available: 1 cancellation 9 original 31 copy

Description: In the BGM segment, the purpose and name of the message are defined.

Implementation note: An individual coordination between sender and recipient will be necessary when dealing with the document types 31e *and 32e *. Invoices of the type of 32e refer to services (e. g. customer service invoices for repair jobs). In case of a cancellation ("1"), the number of the invoice or credit note to be cancelled has to be provided under AFL in the RFF segment.

Example: BGM+380+1+1'

Segment descriptions

Number	No	Segment	St	Max rep.	Level	Name
--------	----	---------	----	----------	-------	------

0030	5	DTM	M	1	1	Invoice- or credit note date
------	---	------------	---	---	---	------------------------------

Tag	Name	St	Format	Use/annotations
DTM				
C507	DATE/TIME/PERIOD SPECIFICATIONS	M		
2005	Date/time/period specifications, qualifier	M	an..3	Constant value: 3 invoice- or credit note date
2380	Date/time/period specifications	M	an..35	Date, formatted as defined in data element 2379
2379	Date/time/period specifications, format, qualifier	M	an..3	Constant value: 102 YYYYMMDD

Description: In the DTM segment the date of the message is transferred.

Example: DTM+3:20141013:102'

Segment descriptions

Number	No	Segment	St	Max rep.	Level	Name
--------	----	---------	----	----------	-------	------

0030	6	DTM	M	1	1	Actual delivery date
------	---	------------	---	---	---	----------------------

Tag	Name	St	Format	Use/annotations
DTM				
C507	DATE/TIME/PERIOD SPECIFICATIONS	M		
2005	Date/time/period specifications, qualifier	M	an..3	Constant value: 35 Actual delivery date (performance date)
2380	Date/time/period specifications	C	an..35	Date, formatted as defined in data element 2379
2379	Date/time/period specifications, format, qualifier	M	an..3	Constant value: 102 YYYYMMDD

Description: In the DTM segment the date of the message is transferred.

Example: DTM+35:20141014:102'

Segment descriptions

Number	No	Segment	St	Max rep.	Level	Name
--------	----	---------	----	----------	-------	------

0030	7	DTM	C	1	1	Date of message
------	---	------------	---	---	---	-----------------

Tag	Name	St	Format	Use/annotations
DTM				
C507	DATE/TIME/PERIOD SPECIFICATIONS	M		
2005	Date/time/period specifications, qualifier	M	an..3	Constant value: 137 document/message date
2380	Date/time/period specifications	C	an..35	Date, formatted as defined in data element 2379
2379	Date/time/period specifications, format, qualifier	M	an..3	Constant value: 102 YYYYMMDD

Description: In the DTM segment the date of the message is transferred.

Example: DTM+137:20141015:102'

Segment descriptions

Number	No	Segment	St	Max rep.	Level	Name
0070	8	FTX	C	10	1	Standard texts due to legal requirements

Tag	Name	St	Format	Use/annotations
FTX				
4451	TEXT, QUALIFIER		M an..3	Constant value: OSI standard texts due to legal requirements These texts may be ignored by the wholesaler and will not result in manual processing/rejection of the invoice at the wholesaler's.
4453			N	Not used in the subset.
C107	TEXT REFERENCE		M	
4441	Free text identification, coded		M an..17	The following codes are available: HAE Reference to bonus abatements ROU Reference to invoices without VAT
C108	FREE TEXT		C	
4440	Free text		M an..70	
4440	Free text		C an..70	
4440	Free text		C an..70	
4440	Free text		C an..70	
4440	Free text		C an..70	

Description: In the FTX segment in the header, a text regarding the entire invoice or credit note can be transferred.

Implementation note: The number of FTX segments for standard texts required by law, invoice- and document text as well as info re Reverse Charge is limited to 10.

Example: FTX+OSI++HAE+free text:free text:free text:free text:free text'

Segment descriptions

Number	No	Segment	St	Max rep.	Level	Name
0070	9	FTX	C	10	1	Free text

Tag	Name	St	Format	Use/annotations
FTX				
4451	TEXT, QUALIFIER		M an..3	Constant value: INV invoice- or document text TXD reference to the reverse charge procedure INV: If possible, this qualifier should not be used, as it requires manual processing of the message.
4453			N	Not used in the subset.
C107			N	
4441			N	Not used in the subset.
C108	FREE TEXT		C	
4440	Free text		M an..70	
4440	Free text		C an..70	
4440	Free text		C an..70	
4440	Free text		C an..70	
4440	Free text		C an..70	

Description: In the FTX segment in the header, a text regarding the entire invoice or credit note can be transferred.

Example: FTX+INV+++free text:free text:free text:free text:free text'

Segment descriptions

Number	No	Segment	St	Max rep.	Level	Name
0080		SG1	C	1	1	Invoice- or credit note number
This segment group contains the RFF segment and the DTM segment and serves the referencing of documents that the invoice refers to.						
0090	10	RFF	M	1	1	Reference data

Tag	Name	St	Format	Use/annotations
RFF				
C506	REFERENCE DATA	M		
1153	Reference, qualifier	M	an..3	The following codes are available: AFL invoice- or credit note number (required in case of a cancellation)
1154	Reference number	M	an..35	Reference number referring to the qualifier selected in data element 1153.

Description: In the RFF segment, numbers regarding documents that the invoice refers to are transferred.

Example: RFF+AFL:1'

Segment descriptions

Number	No	Segment	St	Max rep.	Level	Name
0080		SG1	C	1	1	Invoice- or credit note number
This segment group contains the RFF segment and the DTM segment and serves the referencing of documents that the invoice refers to.						
0100	11	DTM	C	1	2	Date/time/period specifications

Tag	Name	St	Format	Use/annotations
DTM				
C507	DATE/TIME/PERIOD SPECIFICATIONS	M		
2005	Date/time/period specifications, qualifier	M	an..3	The following codes are available: 3 Invoice- or credit note date A delivery date can be transferred in relation to a delivery note, and an invoice- or credit note date can be transferred in relation to a referenced invoice or credit note.
2380	Date/time/period specifications	M	an..35	Date, formatted as defined in data element 2379
2379	Date/time/period specifications, format, qualifier	M	an..3	Constant value: 102 YYYYMMDD

Description: In the DTM segment, date specifications are transferred in relation to documents previously referenced.

Example: DTM+3:20141014:102'

Segment descriptions

Number	No	Segment	St	Max rep.	Level	Name
0080		SG1	C	1	1	Supplier's receivables account number
This segment group contains the RFF segment and the DTM segment and serves the referencing of documents that the invoice refers to.						
0090	12	RFF	M	1	1	Reference data

Tag	Name	St	Format	Use/annotations
RFF				
C506	REFERENCE DATA		M	
1153	Reference, qualifier		M an..3	The following codes are available: AP Supplier's receivables account number
1154	Reference number		M an..35	Reference number referring to the qualifier selected in data element 1153.

Description: In the RFF segment, numbers regarding documents that the invoice refers to are transferred.

Example: RFF+AP:123456'

INVOIC

Segment descriptions

Number	No	Segment	St	Max rep.	Level	Name
0110		SG2	M	1	1	Supplier
This segment group encompasses the NAD segment as well as segment groups 3 and 5. It serves for the indication of the partners and places.						
0120	13	NAD	M	1	1	Name and address

Tag	Name	St	Format	Use/annotations
NAD				
3035	PARTNER, QUALIFIER	M	an..3	Constant value: SU Manufacturer/supplier (industry)/invoicing party
C082	IDENTIFICATION OF THE PARTNER	M		
3039	Partner identification number, coded	M	an..35	In relation to the qualifier stated above, the identification number of the partner will be provided here.
1131		N		Not used in the subset.
3055	Administrative organization, coded	M	an..3	The following codes are available: 9 GLN (GS1 as the German issuer of the GLN numbers) ZZZ bilaterally agreed upon (customer- and supplier numbers)
C058		N		
3124		N		Not used in the subset.
C080	NAME OF THE PARTNER	M		
3036	Name 1 of the partner	M	an..35	Name 1 of the partner.
3036	Name 2 of the partner	C	an..35	Name 2 of the partner.
3036	Name 3 of the partner	C	an..35	Name 3 of the partner.
C059	STREET	M		
3042	Street and house number	M	an..35	Building name/number and street name
3164	PLACE	M	an..35	
3229		N		Not used in the subset.
3251	POSTAL CODE/ZIP CODE	M	an..9	
3207	COUNTRY, CODED	M	an..3	The most important country codes according to ISO 3166 (the postal codes have to be given on the delivery note papers): BE Belgium BG Bulgaria DK Denmark DE Germany FI Finland FR France GR Greece GB Great Britain IE Ireland IT Italy CA Canada LU Luxembourg NL Netherlands NO Norway AT Austria PT Portugal SE Sweden CH Switzerland ES Spain TR Turkey US USA

Description: In the NAD segment, data for the identification of the parties involved as well as important address details are transferred.

Example: NAD+SU+4012345000009::9++Joe:John:Sample+Any Street 16+Any City++12345+DE'

Segment descriptions

Number	No	Segment	St	Max rep.	Level	Name
0150		SG3	M	2	2	RFF
This segment group contains the RFF segment and serves to indicate the manufacturer's/supplier's VAT identification number.						
0160	14	RFF	M	1	2	Reference data

Tag	Name	St Format	Use/annotations
RFF			
C506	REFERENCE DATA	M	
1153	Reference, qualifier	M an..3	Constant value: VA Value Added Tax Identification Number (VAT ID) FC tax number (TIN)
1154	Reference number	M an..35	VAT registration number

Description: In the RFF segment, the VAT ID or TIN (tax number) is transferred.

Example: RFF+VA:1'

Segment descriptions

Number	No	Segment	St	Max rep.	Level	Name
0150		SG3	C	1	2	RFF
This segment group contains the RFF segment and serves to indicate the company/location registration number.						
0160	15	RFF	M	1	2	Reference data

Tag	Name	St Format	Use/annotations
RFF			
C506	REFERENCE DATA	M	
1153	Reference, qualifier	M an..3	Constant value: XA company/location registration number (as required by law)
1154	Reference number	M an..35	VAT registration number

Example: RFF+XA:1'

Segment descriptions



Segment descriptions

Number	No	Segment	St	Max rep.	Level	Name
0210		SG5	C	1	2	CTA-COM
This segment group contains the CTA segment to indicate a contact person.						
0220	16	CTA	M	1	2	Communication partner

Tag	Name	St	Format	Use/annotations
CTA				
3139		N		Not used in the subset.
C056	DEPARTMENT OR EMPLOYEE DETAILS	M		
3413		N		Not used in the subset.
3412	Department or person responsible	M	an..35	Name of the person responsible

Description: In the CTA segment, the name of the person responsible for the transaction at hand, both at the sender's and the recipient's, can be transferred.

Example: CTA++:Joe Sample'

Segment descriptions

Number	No	Segment	St	Max rep.	Level	Name
0210		SG5	C	1	2	CTA-COM
This segment group contains the CTA segment to indicate a contact person.						
0230	17	COM	C	3	3	Communication link

Tag	Name	St	Format	Use/annotations
COM				
C076	COMMUNICATION LINK		M	
3148	Communication number		M an..512	
3155	Communication channel/service, qualifier		M an..3	The following codes are available: EM E-Mail FX Facsimile TE Telephone

Description: A segment for the indication of the communication number and -type of the person responsible or department referred to in the CTA segment.

Example: COM+joe_sample@e_mail.de:EM'

INVOIC

Segment descriptions

Number	No	Segment	St	Max rep.	Level	Name
0110		SG2	M	1	1	Invoicee
This segment group encompasses the NAD segment as well as segment groups 3 and 5. It serves for the indication of the partners and places.						
0120	18	NAD	M	1	1	Name and address

Tag	Name	St	Format	Use/annotations
NAD				
3035	PARTNER, QUALIFIER	M	an..3	Constant value: IV Invoicee
C082	IDENTIFICATION OF THE PARTNER	M		
3039	Partner identification number, coded	M	an..35	In relation to the qualifier stated above, the identification number of the partner will be provided here.
1131		N		Not used in the subset.
3055	Administrative organization, coded	M	an..3	The following codes are available: 9 GLN (GS1 as the German issuer of the GLN numbers) ZZZ bilaterally agreed upon (customer- and supplier numbers)
C058		N		
3124		N		Not used in the subset.
C080	NAME OF THE PARTNER	M		
3036	Name 1 of the partner	M	an..35	Name 1 of the partner.
3036	Name 2 of the partner	C	an..35	Name 2 of the partner.
3036	Name 3 of the partner	C	an..35	Name 3 of the partner.
C059	STREET	M		
3042	Street and house number	M	an..35	Building name/number and street name
3164	PLACE	M	an..35	
3229		N		Not used in the subset.
3251	POSTAL CODE/ZIP CODE	M	an..9	
3207	COUNTRY, CODED	M	an..3	The most important country codes according to ISO 3166 (the postal codes have to be given on the delivery note papers): BE Belgium BG Bulgaria DK Denmark DE Germany FI Finland FR France GR Greece GB Great Britain IE Ireland IT Italy CA Canada LU Luxembourg NL Netherlands NO Norway AT Austria PT Portugal SE Sweden CH Switzerland ES Spain TR Turkey US USA

Description: In the NAD segment, data for the identification of the parties involved as well as important address details are transferred.

Implementation note: Indication of the recipient of delivery "WE" becomes necessary if in the course of a direct order placed by the trade the delivery shall not be made to the ordering business but to a different delivery address (end customer, building site, etc.) If this indication is missing, the wholesaler will not be able to invoice the trade business.

Example: NAD+IV+4012345000009::9++Joe:John:Sample+Any Street 16+Any City++12345+DE'

Segment descriptions

Number	No	Segment	St	Max rep.	Level	Name
0150		SG3	C	2	2	RFF
This segment group contains the RFF segment and serves to indicate the partners' VAT registration numbers, which are only required in cross-border traffic.						
0160	19	RFF	M	1	2	Reference data

Tag	Name	St	Format	Use/annotations
RFF				
C506	REFERENCE DATA	M		
1153	Reference, qualifier	M	an..3	Constant value: VA VAT number FC tax number
1154	Reference number	M	an..35	VAT registration number or additional identification number

Description: In the RFF segment, the VAT registration number is transferred, as well as any necessary additional identification number of a wholesaler with a central regulator.

Example: RFF+VA:1'

INVOIC

Segment descriptions

Number	No	Segment	St	Max rep.	Level	Name
0110		SG2	C	4	1	Partner
This segment group encompasses the NAD segment as well as segment groups 3 and 5. It serves for the indication of the partners and places.						
0120	20	NAD	M	1	1	Name and address

Tag	Name	St	Format	Use/annotations
NAD				
3035	PARTNER, QUALIFIER	M	an..3	The following codes are available: WS wholesaler AB central regulator (GLN or customer number at the supplier's) ST shipping address DP consignee
C082	IDENTIFICATION OF THE PARTNER	C		
3039	Partner identification number, coded	M	an..35	In relation to the qualifier stated above, the identification number of the partner will be provided here.
1131		N		Not used in the subset.
3055	Administrative organization, coded	M	an..3	The following codes are available: 9 GLN (GS1 as the German issuer of the GLN numbers) ZZZ bilaterally agreed upon (customer- and supplier numbers)
C058		N		
3124		N		Not used in the subset.
C080	NAME OF THE PARTNER	M		
3036	Name 1 of the partner	M	an..35	Name 1 of the partner.
3036	Name 2 of the partner	C	an..35	Name 2 of the partner.
3036	Name 3 of the partner	C	an..35	Name 3 of the partner.
C059	STREET	M		
3042	Street and house number	M	an..35	Building name/number and street name
3164	PLACE	M	an..35	
3229		N		Not used in the subset.
3251	POSTAL CODE/ZIP CODE	M	an..9	
3207	COUNTRY, CODED	M	an..3	The most important country codes according to ISO 3166 (the postal codes have to be given on the delivery note papers): BE Belgium BG Bulgaria DK Denmark DE Germany FI Finland FR France GR Greece GB Great Britain IE Ireland IT Italy CA Canada LU Luxembourg NL Netherlands NO Norway AT Austria PT Portugal SE Sweden CH Switzerland ES Spain TR Turkey US USA

Description: In the NAD segment, data for the identification of the parties involved as well as important address details are transferred.

Example: NAD+WS+4012345000009::9++Joe:John:Sample+Any Street 16+Any City++12345+DE'

Segment descriptions

Number	No	Segment	St	Max rep.	Level	Name
0150		SG3	C	2	2	RFF
This segment group contains the RFF segment and serves to indicate the partners' VAT registration numbers, which are only required in cross-border traffic.						
0160	21	RFF	M	1	2	Reference data

Tag	Name	St	Format	Use/annotations
RFF				
C506	REFERENCE DATA		M	
1153	Reference, qualifier		M an..3	Constant value: VA VAT number FC tax number
1154	Reference number		M an..35	VAT registration number or additional identification number

Description: In the RFF segment, the VAT registration number is transferred, as well as any necessary additional identification number of a wholesaler with a central regulator.

Example: RFF+VA:1'

Segment descriptions

Number	No	Segment	St	Max rep.	Level	Name
0210		SG5	C	1	2	CTA-COM
This segment group contains the CTA segment to indicate a contact person.						
0220	22	CTA	M	1	2	Communication partner

Tag	Name	St	Format	Use/annotations
CTA				
3139		N		Not used in the subset.
C056	DEPARTMENT OR EMPLOYEE DETAILS	M		
3413		N		Not used in the subset.
3412	Department or person responsible	M	an..35	Name of the person responsible

Description: In the CTA segment, the name of the person responsible for the transaction at hand, both at the sender's and the recipient's, can be transferred.

Example: CTA++:Joe Sample'

Segment descriptions

Number	No	Segment	St	Max rep.	Level	Name
0210		SG5	C	1	2	CTA-COM
This segment group contains the CTA segment to indicate a contact person.						
0230	23	COM	C	3	3	Communication link

Tag	Name	St	Format	Use/annotations
COM				
C076	COMMUNICATION LINK		M	
3148	Communication number		M an..512	
3155	Communication channel/service, qualifier		M an..3	The following codes are available: EM E-Mail FX Facsimile TE Telephone

Description: A segment for the indication of the communication number and -type of the person responsible or department referred to in the CTA segment.

Example: COM+joe_sample@e_mail.de:EM'

Segment descriptions

Number	No	Segment	St	Max rep.	Level	Name
0240		SG6	C	5	1	TAX
0250	24	TAX	M	1	1	Duty/tax/fee specifications

Tag	Name	St	Format	Use/annotations
TAX				
5283	TYPE OF DUTY/TAX/FEE DATA, QUALIFIER	M	an..3	Constant value: 7 tax
C241	TYPE OF TAX	M		
5153	Type of tax, coded	M	an..3	Constant value: VAT value added tax
C533		N		
5289		N		Not used in the subset.
5286		N		Not used in the subset.
C243	DETAILED TAX DATA	M		
5279		N		Not used in the subset.
1131		N		Not used in the subset.
3055		N		Not used in the subset.
5278	Indication of tax rate	M	an..17	Indication of value added tax rate
5305	Category of duty/tax/fee	M	an..3	S value added tax B reverse charge procedure for value added tax

Example: TAX+7+VAT++++:::19.00+S'

Segment descriptions

Number	No	Segment	St	Max rep.	Level	Name
0280		SG7	M	1	1	CUX
This segment group contains the CUX segment and serves to transfer a reference currency for the entire invoice.						
0290	25	CUX	M	1	1	Currency data

Tag	Name	St	Format	Use/annotations
CUX				
C504	CURRENCY DATA	M		
6347	Currency data, qualifier	M	an..3	Constant value: 2 Reference currency
6345	Currency, coded	M	an..3	The most important currency codes according to ISO 4217: DKK Danish kroner (crowns) EUR Euros GBP British pounds CAD Canadian dollars NOK Norwegian kroner (crowns) PLN Polish zloty SEK Swedish krona (crowns) CHF Swiss francs USD US dollars

Description: In the CUX segment, data referring to currency units required for international transactions are transferred. They may be omitted on a national level.

Example: CUX+2:EUR'

Segment descriptions

Number	No	Segment	St	Max rep.	Level	Name
0310		SG8	C	1	1	Value date
This segment group encompasses the segments PAT, DTM and PCD and serves to transfer payment conditions.						
0320	26	PAT	M	1	1	Payment conditions

Tag	Name	St Format	Use/annotations
PAT			
4279	TYPE OF PAYMENT CONDITIONS, QUALIFIER	M an..3	The following codes are available: 3 value date (new payment date; use only if different from invoice date)

Description: In the PAT segment, the payment conditions and a payment reference date are transferred.

Example: PAT+3++5:::9'

Segment descriptions

Number	No	Segment	St	Max rep.	Level	Name
0310		SG8	C	1	1	Value date
This segment group encompasses the segments PAT, DTM and PCD and serves to transfer payment conditions.						
0330	27	DTM	M	1	2	Date/time/period specifications

Tag	Name	St	Format	Use/annotations
DTM				
C507	DATE/TIME/PERIOD SPECIFICATIONS	M		
2005	Date/time/period specifications, qualifier	M	an..3	The following codes are available: 12 value date (new date of payment)
2380	Date/time/period specifications	M	an..35	Date, formatted as defined in data element 2379
2379	Date/time/period specifications, format, qualifier	M	an..3	Constant value: 102 YYYYMMDD

Description: In the DTM segment, a value date, a payment date or a discount date may be transferred.

Example: DTM+12:20141016:102'

Segment descriptions

Number	No	Segment	St	Max rep.	Level	Name
0310		SG8	C	6	1	Discount
This segment group encompasses the segments PAT, DTM and PCD and serves to transfer payment conditions.						
0320	28	PAT	M	1	1	Payment conditions

Tag	Name	St Format	Use/annotations
PAT			
4279	TYPE OF PAYMENT CONDITIONS, QUALIFIER	M an..3	The following codes are available: 22 discount
C110		N	
4277		N	Not used in the subset.
C112	PAYMENT CONDITIONS, TIME DATA	C	
2475	Payment reference date, coded	M an..3	Constant value: 5 date of invoice
2009		N	Not used in the subset.
2151		N	Not used in the subset.
2152	Time units, number	C n..3	Number of days for discount and/or net payment date. A fixed value date, net payment date or discount date is transferred in the following DTM.

Description: In the PAT segment, the payment conditions and a payment reference date are transferred.

Example: PAT+22++5:::9'

Segment descriptions

Number	No	Segment	St	Max rep.	Level	Name
0310		SG8	C	6	1	Discount
This segment group encompasses the segments PAT, DTM and PCD and serves to transfer payment conditions.						
0330	29	DTM	C	1	2	Date/time/period specifications

Tag	Name	St	Format	Use/annotations
DTM				
C507	DATE/TIME/PERIOD SPECIFICATIONS	M		
2005	Date/time/period specifications, qualifier	M	an..3	The following codes are available: 343 end date for discount validity
2380	Date/time/period specifications	M	an..35	Date, formatted as defined in data element 2379
2379	Date/time/period specifications, format, qualifier	M	an..3	Constant value: 102 YYYYMMDD

Description: In the DTM segment, a value date, a payment date or a discount date may be transferred.

Example: DTM+343:20141029:102'

Segment descriptions

Number	No	Segment	St	Max rep.	Level	Name
0310		SG8	C	6	1	Discount
This segment group encompasses the segments PAT, DTM and PCD and serves to transfer payment conditions.						
0340	30	PCD	C	1	2	Percentages

Tag	Name	St Format	Use/annotations
PCD			
C501	PERCENTAGES	M	
5245	Percentages, qualifier	M an..3	Constant value: 12 discount
5482	Percentage	M n..10	The percentage rate is transferred with two decimal places max.

Description: In the PCD segment, a discount percentage may be transferred.

Example: PCD+12:9'

Segment descriptions

Number	No	Segment	St	Max rep.	Level	Name
0310		SG8	C	1	1	Net payment date
This segment group encompasses the segments PAT, DTM and PCD and serves to transfer payment conditions.						
0320	31	PAT	M	1	1	Payment conditions

Tag	Name	St Format	Use/annotations
PAT			
4279	TYPE OF PAYMENT CONDITIONS, QUALIFIER	M an..3	The following codes are available: ZZZ Net payment date
C110		N	
4277		N	Not used in the subset.
C112	PAYMENT CONDITIONS, TIME DATA	M	
2475	Payment reference date, coded	M an..3	Constant value: 5 Date of invoice or reference date that the discount refers to.
2009		N	Not used in the subset.
2151		N	Not used in the subset.
2152	Time units, number	C n..3	Number of days for discount and/or net payment date. A fixed value date, net payment date or discount date is transferred in the following DTM.

Description: In the PAT segment, the payment conditions and a payment reference date are transferred.

Example: PAT+ZZZ++5:::9'

Segment descriptions

Number	No	Segment	St	Max rep.	Level	Name
0310		SG8	C	1	1	Net payment date
This segment group encompasses the segments PAT, DTM and PCD and serves to transfer payment conditions.						
0330	32	DTM	C	1	2	Date/time/period specifications

Tag	Name	St	Format	Use/annotations
DTM				
C507	DATE/TIME/PERIOD SPECIFICATIONS	M		
2005	Date/time/period specifications, qualifier	M	an..3	The following codes are available: 13 due date in case of net payment
2380	Date/time/period specifications	M	an..35	Date, formatted as defined in data element 2379
2379	Date/time/period specifications, format, qualifier	M	an..3	Constant value: 102 YYYYMMDD

Description: In the DTM segment, a value date, a payment date or a discount date may be transferred.

Example: DTM+13:20141016:102'

INVOIC

Segment descriptions

Number	No	Segment	St	Max rep.	Level	Name
0910		SG25	C	9999	1	LIN-PIA-IMD-QTY-ALI-DTM-GIN-FTX-SG27-SG28-SG29-SG33-SG38
This segment group encompasses the segments LIN, PIA, IMD, QTY, ALI, GIN, FTX as well as segment groups 28, 29 and 38. It serves the transfer of line item data.						
0920	33	LIN	M	1	1	Line item data

Tag	Name	St	Format	Use/annotations
LIN				
1082	LINE ITEM NUMBER	M	n..6	Line item number of the invoice line item
1229	TYPE OF TRANSACTION, CODED	C	an..3	The following codes are available: 5 Line item does not qualify for bonus If the line item does qualify for bonus, this data element is left empty.
C212	PRODUCT IDENTIFICATION	M		
7140	Goods/service number	M	an..35	article number assigned by supplier; if there is none available, there will be a text specification in the "IMD" segment. The data element group C212 will not be transferred in this case.
7143	Goods/service number type, coded	M	an..3	The following codes are available: MF article number assigned by supplier EN GTIN

Description: In the LIN segment, an invoice line item is identified by a consecutive line item number and also by an article number. A relation to the line item number of the order is established in the RFF segment.

Example: LIN+9+5+1:MF'

INVOIC

Segment descriptions

Number	No	Segment	St	Max rep.	Level	Name
0910		SG25	C	9999	1	LIN-PIA-IMD-QTY-ALI-DTM-GIN-FTX-SG27-SG28-SG29-SG33-SG38
		This segment group encompasses the segments LIN, PIA, IMD, QTY, ALI, GIN, FTX as well as segment groups 28, 29 and 38. It serves the transfer of line item data.				
0930	34	PIA	C	1	2	Additional product information

Tag	Name	St	Format	Use/annotations
PIA				
4347	PRODUCT IDENTIFICATION FUNCTION, CODED	M	an..3	Constant value: 1 additional product information
C212	GOODS/SERVICE NUMBER IDENTIFICATION	M		
7140	Goods/service number	M	an..35	article number
7143	Goods/service number, coded	M	an..3	The following codes are available: EN GTIN

Implementation note: If available, both numbers should be transferred.

Example: PIA+1+1:EN'

INVOIC

Segment descriptions

Number	No	Segment	St	Max rep.	Level	Name
0910		SG25	C	9999	1	LIN-PIA-IMD-QTY-ALI-DTM-GIN-FTX-SG27-SG28-SG29-SG33-SG38
This segment group encompasses the segments LIN, PIA, IMD, QTY, ALI, GIN, FTX as well as segment groups 28, 29 and 38. It serves the transfer of line item data.						
0940	35	IMD	M	1	2	Item description (mandatory)

Tag	Name	St	Format	Use/annotations
IMD				
7077		N		Not used in the subset.
7081		N		Not used in the subset.
C273	LINE ITEM DESCRIPTION	M		
7009	Line item description	M	an..17	The following codes are available: SP item description The entry of a line item description is required especially in order to use it for electronic archiving. The entry of the line item description in addition to an article number does not lead to a rejection of an invoice, nor to manual processing. For item specification, 2*40 characters of item text are available by repeating the IMD segment twice. If the code "SP" is indicated, there is the additional possibility to use the code "ZU" for additional text, which means that in this case, the IMD segment can be repeated a maximum of ten times.
1131		N		Not used in the subset.
3055		N		Not used in the subset.
7008	Line item description	M	an..35	Characters 1-35.
7008	Line item description	C	an..35	Characters 36-40.

Description: In the IMD segment an additional text referring to the line item and an item description can be transferred.

Example: IMD+++SP::article text article text article text:artic'

INVOIC

Segment descriptions

Number	No	Segment	St	Max rep.	Level	Name
0910		SG25	C	9999	1	LIN-PIA-IMD-QTY-ALI-DTM-GIN-FTX-SG27-SG28-SG29-SG33-SG38
This segment group encompasses the segments LIN, PIA, IMD, QTY, ALI, GIN, FTX as well as segment groups 28, 29 and 38. It serves the transfer of line item data.						
0940	36	IMD	C	1	2	Item description

Tag	Name	St	Format	Use/annotations
IMD				
7077		N		Not used in the subset.
7081		N		Not used in the subset.
C273	LINE ITEM DESCRIPTION	M		
7009	Line item description	M	an..17	The following codes are available: SP Item description The entry of a line item description is desired especially in order to use it for electronic archiving. The entry of the line item description in addition to an article number does not lead to a rejection of an invoice, nor to manual processing. For item specification, 2*40 characters of item text are available by repeating the IMD segment twice. If the code "SP" is indicated, there is the additional possibility to use the code "ZU" for additional text, which means that in this case, the IMD segment can be repeated a maximum of ten times.
1131		N		Not used in the subset.
3055		N		Not used in the subset.
7008	Line item description	M	an..35	Characters 1-35.
7008	Line item description	C	an..35	Characters 36-40.

Description: In the IMD segment, an additional text referring to the line item and a line item specification can be transferred. .

Example: IMD+++SP:::article text article text article text:artic'

Segment descriptions

Number	No	Segment	St	Max rep.	Level	Name
0910		SG25	C	9999	1	LIN-PIA-IMD-QTY-ALI-DTM-GIN-FTX-SG27-SG28-SG29-SG33-SG38
This segment group encompasses the segments LIN, PIA, IMD, QTY, ALI, GIN, FTX as well as segment groups 28, 29 and 38. It serves the transfer of line item data.						
0940	37	IMD	C	8	2	Additional text referring to the line item

Tag	Name	St	Format	Use/annotations
IMD				
7077		N		Not used in the subset.
7081		N		Not used in the subset.
C273	LINE ITEM DESCRIPTION	M		
7009	Line item description	M	an..17	The following codes are available: ZU Additional text referring to the line item This code is used if in addition to the article number and possibly an item text a verbal description of the item is required. In this case the IMD segment can be repeated up to eight times, with 40 characters each (i.e. a total of 320 characters).
1131		N		Not used in the subset.
3055		N		Not used in the subset.
7008	Additional text referring to the line item	M	an..35	Characters 1-35.
7008	Additional text referring to the line item	C	an..35	Characters 36-40.

Description: In the IMD segment, an additional text referring to the line item and a line item specification can be transferred .

Implementation note: Contrary to the explanation given above, with ZU the line item text (2*40 characters) has to be transferred at all times.

Example: IMD+++ZU:::article text article text article text:artic'

INVOIC

Segment descriptions

Number	No	Segment	St	Max rep.	Level	Name
0910		SG25	C	9999	1	LIN-PIA-IMD-QTY-ALI-DTM-GIN-FTX-SG27-SG28-SG29-SG33-SG38
This segment group encompasses the segments LIN, PIA, IMD, QTY, ALI, GIN, FTX as well as segment groups 28, 29 and 38. It serves the transfer of line item data.						
0960	38	QTY	C	1	2	Quantity

Tag	Name	St	Format	Use/annotations
QTY				
C186	MENGENANGABEN		M	
6063	Quantity, qualifier		M an..3	Constant value: 12 Quantity
6060	Quantity		M n..15	Quantity of the item, with three decimal places max.
6411	Measurement unit, qualifier		M an..3	The following codes are available: CMK square centimetre CMQ cubic centimetre CMT centimetre DZN dozen GRM gram HLT hectolitre HUR hour KGM kilogramme KTM kilometre LTR litre MIN minute MMT millimetre MTK square metre MTQ cubic metre MTR metre PAK pack PCE piece PR pair RO number of rolls SET set TNE metric ton

Description: In the QTY segment the quantity to be delivered and the measurement unit are transferred.

Example: QTY+12:9:CMK'

INVOIC

Segment descriptions

Number	No	Segment	St	Max rep.	Level	Name
0910		SG25	C	9999	1	LIN-PIA-IMD-QTY-ALI-DTM-GIN-FTX-SG27-SG28-SG29-SG33-SG38
This segment group encompasses the segments LIN, PIA, IMD, QTY, ALI, GIN, FTX as well as segment groups 28, 29 and 38. It serves the transfer of line item data.						
0980	39	ALI	M	1	2	Additional information

Tag	Name	St Format	Use/annotations
ALI			
3239	COUNTRY OF ORIGIN	M an..3	The most important country codes according to ISO 3166: BE Belgium BG Bulgaria DK Denmark DE Germany FI Finland FR France GR Greece GB Great Britain IE Ireland IT Italy CA Canada LU Luxembourg NL Netherlands NO Norway AT Austria PT Portugal SE Sweden CH Switzerland ES Spain TR Turkey US USA

Description: In the ALI segment, the country of origin can be transferred.

Example: ALI+DE'

INVOIC

Segment descriptions

Number	No	Segment	St	Max rep.	Level	Name
0910		SG25	C	9999	1	LIN-PIA-IMD-QTY-ALI-DTM-GIN-FTX-SG27-SG28-SG29-SG33-SG38
		This segment group encompasses the segments LIN, PIA, IMD, QTY, ALI, GIN, FTX as well as segment groups 28, 29 and 38. It serves the transfer of line item data.				
0990	40	DTM	M	1	2	Date/time/period specifications

Tag	Name	St	Format	Use/annotations
DTM				
C507	DATE/TIME/PERIOD SPECIFICATIONS	M		
2005	Date/time/period specifications, qualifier	M	an..3	Constant value: 35 actual delivery date (performance date)
2380	Date/time/period specifications	M	an..35	Date, formatted as defined in data element 2379
2379	Date/time/period specifications, format, qualifier	M	an..3	Constant value: 102 YYYYMMDD

Example: DTM+35:20141016:102'

Segment descriptions

Number	No	Segment	St	Max rep.	Level	Name
0910		SG25	C	9999	1	LIN-PIA-IMD-QTY-ALI-DTM-GIN-FTX-SG27-SG28-SG29-SG33-SG38
This segment group encompasses the segments LIN, PIA, IMD, QTY, ALI, GIN, FTX as well as segment groups 28, 29 and 38. It serves the transfer of line item data.						
1000	41	GIN	C	1	2	Goods identification number

Tag	Name	St	Format	Use/annotations
GIN				
7405	IDENTIFICATION NUMBER, QUALIFIER	M	an..3	Constant value: SC customs tariff number
C208	IDENTIFICATION NUMBER	M		
7402	Identification number	M	an..35	Customs tariff number

Description: In the GIN segment, the customs tariff number can be transferred.

Example: GIN+SC+1'

Segment descriptions

Number	No	Segment	St	Max rep.	Level	Name
0910		SG25	C	9999	1	LIN-PIA-IMD-QTY-ALI-DTM-GIN-FTX-SG27-SG28-SG29-SG33-SG38
This segment group encompasses the segments LIN, PIA, IMD, QTY, ALI, GIN, FTX as well as segment groups 28, 29 and 38. It serves the transfer of line item data.						
1040	42	FTX	C	1	2	Invoice- or document text

Tag	Name	St	Format	Use/annotations
FTX				
4451	TEXT, QUALIFIER	M	an..3	Constant value: INV Invoice- or document text
4453		N		Not used in the subset.
C107		N		
4441		N		Not used in the subset.
C108	FREE TEXT	M		
4440	Free text	M	an..70	
4440	Free text	C	an..70	
4440	Free text	C	an..70	
4440	Free text	C	an..70	
4440	Free text	C	an..70	

Description: In the FTX segment, a text re the invoice- or credit note item can be transferred in the line item section. If possible, this segment should not be used as it requires manual processing of the message.

Implementation note: Gross price means the price without allowances and charges, the net price includes increases and reductions.

Example: FTX+INV+++invoice/document text:invoice/document text:invoice/document text :invoice/document text:invoice/document text'

Segment descriptions

Number	No	Segment	St	Max rep.	Level	Name
0910		SG25	C	9999	1	LIN-PIA-IMD-QTY-ALI-DTM-GIN-FTX-SG27-SG28-SG29-SG33-SG38
This segment group encompasses the segments LIN, PIA, IMD, QTY, ALI, GIN, FTX as well as segment groups 28, 29 and 38. It serves the transfer of line item data.						
1040	43	FTX	C	1	2	Reference to the reverse charge procedure

Tag	Name	St	Format	Use/annotations
FTX				
4451	TEXT, QUALIFIER	M	an..3	Constant value: TXD Reference to the reverse charge procedure
4453		N		Not used in the subset.
C107		N		
4441		N		Not used in the subset.
C108	FREE TEXT	M		
4440	Free text	M	an..70	
4440	Free text	C	an..70	
4440	Free text	C	an..70	
4440	Free text	C	an..70	
4440	Free text	C	an..70	

Description: In the FTX segment, a text re the invoice- or credit note item can be transferred in the line item section. If possible, this segment should not be used as it requires manual processing of the message.

Example: FTX+TXD+++reverse charge procedure:reverse charge procedure:reverse charge procedure: reverse charge procedure: reverse charge procedure'

Segment descriptions

Number	No	Segment	St	Max rep.	Level	Name
1080		SG27	C	10	2	PAT
1090	44	PAT	C	1	2	Payment conditions

Tag	Name	St Format	Use/annotations
PAT			
4279	Payment terms type qualifier	M an..3	NSF non-discountable item

Example: PAT+NSF'

INVOIC

Segment descriptions

Number	No	Segment	St	Max rep.	Level	Name
--------	----	---------	----	----------	-------	------

1130		SG28	M	2	2	PRI
------	--	-------------	---	---	---	------------

This segment group contains the PRI segment and serves for the transfer of line item prices.

1140	45	PRI	M	1	2	Price information
------	----	------------	---	---	---	--------------------------

Tag	Name	St	Format	Use/annotations
PRI				
C509	PRICE INFORMATION	M		
5125	Price, qualifier	M	an..3	The following codes are available: GRP gross price NTP net price
5118	Price	M	n..15	Price of the item, with two decimal places
5375		N		Not used in the subset.
5387		N		Not used in the subset.
5284	Price basis per unit	M	n..9	The quantity that the previously stated price and the measurement unit stated in data element 6411 refer to. If, for instance, the price refers to one piece, this data element has to state a "1", and data element 6411 has to state the Code "PCE" for "piece". The price basis has to be indicated as follows: "1" = 1 unit "10" = 10 units "100" = 100 units "1000" = 1000 units The indication has to comply with the master data.
6411	Measurement unit, qualifier	M	an..3	This data element should only be used if the indication of price refers to another measurement unit than the indication of quantity in the order. The following codes are available: CMK square centimetre CMQ cubic centimetre CMT centimetre DZN dozen GRM gram HLT hectolitre HUR hour KGM kilogramme KTM kilometre LTR litre MIN minute MMT millimetre MTK square metre MTQ cubic metre MTR metre PAK pack PCE piece PR pair RO number of rolls SET set TNE metric ton UI unit of work

Description: In the PRI segment, the gross price and/or the net price is transferred. One of the two prices has to be transferred.

Annotation: Gross price: price without allowances and charges
Net price: price including allowances and charges

Example: PRI+GRP:9:::9:CMK'

Segment descriptions

Number	No	Segment	St	Max rep.	Level	Name
1190		SG29	C	1	2	Order reference
This segment group contains the RFF segment and the DTM segment. It serves the referencing of the order.						
1200	46	RFF	M	1	2	Reference data

Tag	Name	St	Format	Use/annotations
RFF				
C506	REFERENCE DATA	M		
1153	Reference, qualifier	M	an..3	The following codes are available: ON Order number of the wholesaler
1154	Reference number	M	an..35	Reference number referring to the qualifier selected in data element 1153.
1156	Line item number	C	an..6	Line item number in the referenced document

Description: In the RFF segment, numbers regarding documents that the invoice line item refers to are transferred.

Implementation note: For each invoice line item the references ON and AAJ have to be transferred.

For the reference AAJ the delivery date has to be transferred in addition.

Example: RFF+ON:1:1'

Segment descriptions

Number	No	Segment	St	Max rep.	Level	Name
1190		SG29	C	1	2	Order reference
This segment group contains the RFF segment and the DTM segment. It serves the referencing of the order.						
1210	47	DTM	C	1	3	Date/time/period specifications

Tag	Name	St	Format	Use/annotations
DTM				
C507	DATE/TIME/PERIOD SPECIFICATIONS	M		
2005	Date/time/period specifications, qualifier	M	an..3	The following codes are available: 171 reference date
2380	Date/time/period specifications	M	an..35	Date, formatted as defined in data element 2379
2379	Date/time/period specifications, format, qualifier	M	an..3	Constant value: 102 YYYYMMDD

Description: In the DTM segment, date specifications referring to the previously referenced documents are transferred.

Example: DTM+171:20141015:102'

Segment descriptions

Number	No	Segment	St	Max rep.	Level	Name
1190		SG29	C	1	2	Delivery note reference
This segment group contains the RFF segment and the DTM segment. It serves the referencing of the documents that the invoice line item refers to (to be applied in collective invoices).						
1200	48	RFF	M	1	2	Reference data

Tag	Name	St	Format	Use/annotations
RFF				
C506	REFERENCE DATA	M		
1153	Reference, qualifier	M	an..3	The following codes are available: AAJ Delivery note number of the supplier
1154	Reference number	M	an..35	Reference number referring to the qualifier selected in data element 1153.
1156	Line item number	C	an..6	Line item number in the referenced document

Description: In the RFF segment, numbers regarding documents that the invoice line item refers to are transferred.

Implementation note: For each invoice line item the references ON and AAJ have to be transferred.

For the reference AAJ the delivery date has to be transferred in addition.

Example: RFF+ON:1:1'

Segment descriptions

Number	No	Segment	St	Max rep.	Level	Name
1190		SG29	C	1	2	Delivery note reference
This segment group contains the RFF segment and the DTM segment. It serves the referencing of the documents that the invoice line item refers to (to be applied in collective invoices)						
1210	49	DTM	C	1	3	Date/time/period specifications

Tag	Name	St	Format	Use/annotations
DTM				
C507	DATE/TIME/PERIOD SPECIFICATIONS	M		
2005	Date/time/period specifications, qualifier	M	an..3	The following codes are available: 171 reference date
2380	Date/time/period specifications	M	an..35	Date, formatted as defined in data element 2379
2379	Date/time/period specifications, format, qualifier	M	an..3	Constant value: 102 YYYYMMDD

Description: In the DTM segment, date specifications referring to the previously referenced documents are transferred.

Example: DTM+171:20141015:102'

Segment descriptions

Number	No	Segment	St	Max rep.	Level	Name
1190		SG29	C	1	2	Despatch Advice reference
This segment group contains the RFF segment and the DTM segment. It serves the referencing of the documents that the invoice line item refers to (to be applied in collective invoices).						
1200	50	RFF	M	1	2	Reference data

Tag	Name	St Format	Use/annotations
RFF			
C506	REFERENCE DATA	M	
1153	Reference, qualifier	M an..3	The following codes are available: AAJ Despatch Advice number of the supplier
1154	Reference number	M an..35	Reference number referring to the qualifier selected in data element 1153.
1156	Line item number	C an..6	Line item number in the referenced document

Description: In the RFF segment, numbers regarding documents that the invoice line item refers to are transferred.

Implementation note: For each invoice line item the references ON and AAJ have to be transferred.

For the reference AAJ the delivery date has to be transferred in addition.

Example: RFF+ON:1:1'

Segment descriptions

Number	No	Segment	St	Max rep.	Level	Name
1190		SG29	C	1	2	Despatch Advice reference
This segment group contains the RFF segment and the DTM segment. It serves the referencing of the documents that the invoice line item refers to (to be applied in collective invoices)						
1210	51	DTM	C	1	3	Date/time/period specifications

Tag	Name	St	Format	Use/annotations
DTM				
C507	DATE/TIME/PERIOD SPECIFICATIONS	M		
2005	Date/time/period specifications, qualifier	M	an..3	The following codes are available: 171 reference date
2380	Date/time/period specifications	C	an..35	Date, formatted as defined in data element 2379
2379	Date/time/period specifications, format, qualifier	C	an..3	Constant value: 102 YYYYMMDD

Description: In the DTM segment, date specifications referring to the previously referenced documents are transferred.

Example: DTM+171:20141015:102'

Segment descriptions

Number	No	Segment	St	Max rep.	Level	Name
1190		SG29	C	7	2	Reference data without document/message date
This segment group contains the RFF segment and the DTM segment. It serves the referencing of the documents that the invoice line item refers to (to be applied in collective invoices).						
1200	52	RFF	M	1	2	Reference data

Tag	Name	St	Format	Use/annotations
RFF				
C506	REFERENCE DATA	M		
1153	Reference, qualifier	M	an..3	The following codes are available: ACE order confirmation number of the supplier ACD additional reference, here: collective order number ADA return number of the wholesaler
1154	Reference number	M	an..35	Reference number referring to the qualifier selected in data element 1153.
1156	Line item number	C	an..6	Line item number in the referenced document

Description: In the RFF segment, numbers regarding documents that the invoice line item refers to are transferred.

Example: RFF+ACE:1:1'

Segment descriptions

Number	No	Segment	St	Max rep.	Level	Name
1340		SG33	C	99	2	TAX-MOA
1350	53	TAX	M	1	2	Duty/tax/fee specifications

Tag	Name	St	Format	Use/annotations
TAX				
5283	TYPE OF DUTY/TAX/FEE DATA, QUALIFIER	M	an..3	Constant value: 7 tax
C241	TYPE OF TAX	M		
5153	Type of tax, coded	M	an..3	Constant value: VAT value added tax
C533		N		
5289		N		Not used in the subset.
5286		N		Not used in the subset.
C243	DETAILED TAX DATA	M		
5279		N		Not used in the subset.
1131		N		Not used in the subset.
3055		N		Not used in the subset.
5278	Indication of tax rate	M	an..17	Indication of value added tax rate
5305	Category of duty/tax/fee	M	an..3	S value added tax B reverse charge procedure for value added tax

Example: TAX+7+VAT++++:::0+B'

Segment descriptions

Number	No	Segment	St	Max rep.	Level	Name
1340		SG33	C	99	2	TAX-MOA
1360	54	MOA	M	1	3	Amount

Tag	Name	St	Format	Use/annotations
MOA				
C516	AMOUNT		M	
5025	Type of amount, qualifier		M an..3	124 tax amount according to tax key
5004	Amount		M n..18	Absolute amount of VAT, with two decimal places max.

Example: MOA+124:0'

Segment descriptions

Number	No	Segment	St	Max rep.	Level	Name
1500		SG38	C	1	2	Multiplier
This segment group encompasses the ALC segment as well as segment groups 40 and 41. It serves the transfer of allowances and charges regarding invoice line items.						
1510	55	ALC	M	1	2	Multiplier

Tag	Name	St Format	Use/annotations
ALC			
5463	ALLOWANCES AND CHARGES, QUALIFIER	M an..3	The following codes are available: J adjustment
C552		N	
1230		N	Not used in the subset.
4471		N	Not used in the subset.
1227		N	Not used in the subset.
C214	SPECIAL SERVICES	M	
7161	Special services, coded	M an..3	The following codes are available: SF Multiplier

Description: If a multiplier is indicated, it is a net multiplier that already encompasses all allowances and charges for this line item.

The multiplier is for automatic invoice verification; the individual conditions are for information and for manual enquiries in case of deviations found during automatic invoice verification.

Example: ALC+J++++SF'

Segment descriptions

Number	No	Segment	St	Max rep.	Level	Name
1570		SG40	M	1	3	PCD
This segment group contains the PCD segment and serves the transfer of allowance and charge percentages.						
1580	56	PCD	M	1	3	Percentages

Tag	Name	St	Format	Use/annotations
PCD				
C501	PERCENTAGE DATA	M		
5245	Percentages, qualifier	M	an..3	Constant value: 1 Multiplier
5482	Percentage rate	M	n..10	The multiplier is transferred with up to eight decimal places max.

Description: In the PCD segment, a multiplier for the invoice line item is transferred.

Example: PCD+1:9'

Segment descriptions

Number	No	Segment	St	Max rep.	Level	Name
1500		SG38	C	30	2	Allowances and charges
This segment group encompasses the ALC segment as well as segment groups 40 and 41. It serves the transfer of allowances and charges regarding invoice line items.						
1510	57	ALC	M	1	2	Allowances and charges

Tag	Name	St Format	Use/annotations
ALC			
5463	ALLOWANCES AND CHARGES, QUALIFIER	M an..3	The following codes are available: A allowance C charge
C552		N	
1230		N	Not used in the subset.
4471		N	Not used in the subset.
1227		N	Not used in the subset.
C214	SPECIAL SERVICES	M	
7161	Special services, coded	M an..3	The following codes are available: ZZZ Bilaterally agreed upon (description of the condition to follow in data element 7160)
1131		N	Not used in the subset.
3055		N	Not used in the subset.
7160	Special condition	M an..35	The condition specification has to be transferred here.

Description: The ALC segment serves to indicate allowances and charges for single line items.

Example: ALC+A++++ZZZ:::condition specification'

Segment descriptions

Number	No	Segment	St	Max rep.	Level	Name
1570		SG40	C	1	3	PCD
This segment group contains the PCD segment and serves the transfer of allowance and charge percentages.						
1580	58	PCD	M	1	3	Percentages

Tag	Name	St	Format	Use/annotations
PCD				
C501	PERCENTAGE DATA	M		
5245	Percentages, qualifier	M	an..3	Constant value: 3 percentage rate
5482	Percentage rate	M	n..10	The percentage rate is transferred with two decimal places max.

Description: In the PCD segment, a percentage rate for the invoice line item is transferred. Percentage rates for discount data are for information only.

Example: PCD+3:9'

Segment descriptions

Number	No	Segment	St	Max rep.	Level	Name
1600		SG41	C	1	3	Amount
This segment group contains the MOA segment and serves the transfer of allowances and charges as a fixed amount.						
1610	59	MOA	M	1	3	Amount

Tag	Name	St Format	Use/annotations
MOA			
C516	AMOUNT	M	
5025	Amount, qualifier	M an..3	Constant value: 8 amount
5004	Amount	M n..18	Allowance or charge with with two decimal places max. Value referring to the code entered in data element Gr. 38-ALC-C214-7161 (absolute amount in euros).

Description: In the MOA segment, an allowance or charge is transferred as an amount.

Example: MOA+8 : 9 '

Segment descriptions

Number	No	Segment	St	Max rep.	Level	Name
1600		SG41	C	1	3	Calculation base
This segment group contains the MOA segment and serves the transfer of allowances and charges as a fixed amount.						
1610	60	MOA	M	1	3	Amount

Tag	Name	St Format	Use/annotations
MOA			
C516	AMOUNT	M	
5025	Amount, Qualifier	M an..3	Constant value: 25 Calculation base
5004	Amount	M n..18	Allowance or charge with with two decimal places max. Value referring to the code entered in data element Gr. 38-ALC-C214-7161 (absolute amount in euros).

Description: In the MOA segment, an allowance or charge is transferred as an amount.
Example: MOA+25 : 9'

Segment descriptions

Number	No	Segment	St	Max rep.	Level	Name
1840	61	UNS	M	1	0	Section control segment

Tag	Name	St Format	Use/annotations
0081	SECTION IDENTIFIER, CODED	M a1	Constant value: S Separation of line item- and sum section

Description: The UNS segment is a service segment and marks the separation of line item- and sum section.

Example: UNS+S'

Segment descriptions

Number	No	Segment	St	Max rep.	Level	Name
--------	----	---------	----	----------	-------	------

1860 **SG48** M 8 1 **MOA**

This segment group contains the MOA segment and serves the indication of invoice sums.

Invoice sums to be transferred

Sum of line item values
+/- EURO value (allowances & charges)

= goods value
+ additional expenses
= amount subject to VAT
+ VAT

= invoice amount
Discountable share of goods value

Elements to be used

SG 48/MOA/C516/5004 with code "79"
SG 51/ALC/MOA

SG 48/MOA/C516/5004 with code "56"
SG 51/ALC/MOA
SG 48/MOA/C516/5004 with code "125"
SG 50/TAX/MOA

SG 48/MOA/C516/5004 with code "9"
SG 48/MOA/C516/5004 with code "12"

1870 62 **MOA** M 1 1 **Amount**

Tag	Name	St Format	Use/annotations
MOA			
C516	AMOUNT	M	
5025	Type of amount, qualifier	M an..3	The following codes are available: 79 sum of line item values 56 goods value 125 amount subject to VAT (mandatory field) 9 invoice amount (mandatory field) 12 share of goods value subject to bonus 109 Discountable amount 124 tax amount
5004	Amount	M n..18	Sum in accordance with the qualifier indicated in data element 5025.

Description: In the MOA segment, invoice sums are transferred.

Example: MOA+79:9'

Segment descriptions

Number	No	Segment	St	Max rep.	Level	Name
1910		SG50	M	2	1	TAX-MOA
This segment group contains the TAX segment as well as the MOA segment and serves for the transfer of VAT.						
1920	63	TAX	M	1	1	Duty/tax/fee specifications

Tag	Name	St	Format	Use/annotations
TAX				
5283	TYPE OF DUTY/TAX/FEE DATA, QUALIFIER	M	an..3	Constant value: 7 tax
C241	TYPE OF TAX	M		
5153	Type of tax, coded	M	an..3	Constant value: VAT value added tax
C533		N		
5289		N		Not used in the subset.
5286		N		Not used in the subset.
C243	DETAILED TAX DATA	M		
5279		N		Not used in the subset.
1131		N		Not used in the subset.
3055		N		Not used in the subset.
5278	Indication of tax rate	M	an..17	Indication of value added tax rate
5305	Category of duty/tax/fee	M	an..3	S value added tax B reverse charge procedure for value added tax

Description: In the TAX segment, the VAT percentage rate is transferred.

Example: TAX+7+VAT+++:::19.00+S'

Segment descriptions

Number	No	Segment	St	Max rep.	Level	Name
1910		SG50	M	2	1	TAX-MOA
This segment group contains the TAX segment as well as the MOA segment and serves for the transfer of VAT.						
1930	64	MOA	M	1	2	Amount

Tag	Name	St Format	Use/annotations
MOA			
C516	AMOUNT	M	
5025	Type of amount, qualifier	M an..3	Constant value: 125 amount subject to tax 124 tax amount
5004	Amount	M n..18	Absolute amount of VAT with two decimal places max.

Description: In the MOA segment, the amount of VAT is transferred.

Example: MOA+125:9'

INVOIC

Segment descriptions

Number	No	Segment	St	Max rep.	Level	Name
1940		SG51	C	15	1	ALC-MOA
This segment group encompasses the ALC segment as well as the MOA segment and serves the transfer of additional costs and allowances and charges referring to the entire invoice.						
1950	65	ALC	M	1	1	Increases/reductions and additional costs

Tag	Name	St	Format	Use/annotations
ALC				
5463	ALLOWANCES AND CHARGES, QUALIFIER	M	an..3	The following codes are available: A allowance C charge
C552		N		
1230		N		Not used in the subset.
4471		N		Not used in the subset.
1227		N		Not used in the subset.
C214	SPECIAL SERVICES	M		
7161	Special services, coded	M	an..3	The following codes are available: ABW customs duties AU accreditation fees DL freight IN insurance PC packaging ZZZ bilaterally agreed upon (description of the condition to follow in data element 7160)
1131		N		Not used in the subset.
3055		N		Not used in the subset.
7160	Special condition	C	an..35	If the code "ZZZ" is indicated in data element 7161, the condition specification has to be transferred here.

Description: In the ALC segment, percentage and monetary allowances and charges referring to the entire invoice are displayed as a sum.

Example: ALC+A+++ABW::condition specification'

Segment descriptions

Number	No	Segment	St	Max rep.	Level	Name
1940		SG51	C	15	1	ALC-MOA
This segment group encompasses the ALC segment as well as the MOA segment and serves the transfer of additional costs and allowances and charges referring to the entire invoice.						
1970	66	MOA	C	1	2	Amount

Tag	Name	St Format	Use/annotations
MOA			
C516	AMOUNT	M	
5025	Amount, qualifier	M an..3	Constant value: 8 amount
5004	Amount	M n..18	Allowance or charge with two decimal places.

Description: In the MOA segment, an amount referring to previously defined allowances or charges is transferred.

Example: MOA+8 : 9 '

Segment descriptions

Number	No	Segment	St	Max rep.	Level	Name
1980	67	UNT	M	1	0	Message end segment

Tag	Name	St	Format	Use/annotations
UNT				
0074	NUMBER OF SEGMENTS IN ONE MESSAGE	M	n..6	Number of segments transferred in this message, incl. segments UNH and UNT.
0062	MESSAGE REFERENCE NUMBER	M	an..14	The same reference number as in UNH / 0062 has to be entered here. Upon receipt of message, this number will be compared with the entry in the segment UNH.

Description: In the UNT segment, the number of segments and a message reference number are transferred for a plausibility check.

Example: UNT+60+1'

Comprehensive example

Number	No	Segment	St	Max rep.	Level	Name
0000	68	UNZ	M	1	0	User data end segment

Tag	Name	St Format	Use/annotations
UNZ			
0036	DATA EXCHANGE COUNTER	M n..6	Here the number of messages within the user data frame UNB...UNZ is entered.
0020	DATA EXCHANGE REFERENCE	M an..14	Here the same reference number as in UNB / 0020 Has to be entered. Upon receipt of the user data frame, this number is compared to the entry in the segment UNB.

Description: In the UNZ segment, a data exchange counter and a data exchange reference can be transferred.

Example: UNZ+1+1'