

# **Guidelines of Implementation**

## **EDIFACT SUBSET**

### **EDITEC**

### **Remittance Advice**



**Deutscher Großhandelsverband Haustechnik e.V.**

**/ARGE**

Building digital competence



**REMADV / D.96B**

**Version 3.5 / November 2010**

Table of Contents for Subset EDITEC “Remittance Advice”

1. INTRODUCTION .....	3
2. INSTRUCTIONS FOR USE .....	4
3. MESSAGE STRUCTURE DIAGRAM .....	5
4. HISTORY.....	6
5. MESSAGE STRUCTURE OF THE SUBSET.....	7
<b>UNA</b> M 1 PRESETTING OF SEPARATORS.....	7
<b>UNB</b> M 1 USAGE DATA HEAD SEGMENT .....	8
<b>UNH</b> M 1 MESSAGE HEAD SEGMENT.....	10
<b>BGM</b> M 1 BEGINNING OF THE MESSAGE.....	11
<b>DTM</b> M 2 DATE/TIME/PERIOD DATA.....	12
<b>FII</b> K 2 CREDIT INSTITUTION.....	13
<b>PAI</b> K 1 REMITTANCE DATA.....	14
<b>NAD</b> M 1 NAME AND ADDRESS.....	15
<b>CTA</b> M 1 COMMUNICATION PARTNER.....	16
<b>COM</b> K 4 COMMUNICATION LINK.....	16
<b>CUX</b> M 1 CURRENCY DATA .....	17
<b>DOC</b> M 1 DOCUMENT/MESSAGE DETAILS.....	18
<b>DTM</b> K 1 DATE/TIME/PERIOD DATA .....	20
<b>RFF</b> K 1 REFERENCE DATA .....	21
<b>UNS</b> M 1 SECTION CONTROL SEGMENT.....	25
<b>MOA</b> M 1 AMOUNT OF MONEY .....	26
<b>UNT</b> M 1 MESSAGE END SEGMENT .....	27
<b>UNZ</b> M 1 USER DATA END SEGMENT .....	27
6. MESSAGE EXAMPLE.....	28

# 1. Introduction

The present EDIFACT subset concerning the message type “Remittance Advice” was provided by ITEK on behalf of Arbeitsgemeinschaft Neue Medien der deutschen Sanitärindustrie e.V. and Deutscher Großhandelsverband Haustechnik e.V.

**ITEK**

Technologiepark 19  
33100 Paderborn

Phone no.: + 49 5251 1614 0  
Fax no.: + 49 5251 1614 99  
E-mail: editec@itekmbh.de

This EDIFACT subset is based on EDIFACT syntax version 3 and the following public documents:

- EDIFACT – Standardised message type “REMADV”
- UN/EDIFACT Directory 96B, UN/ECE/TRADE/WP.4
- EDIFACT Application service segments, draft DIN 16560 part 1, February 1994
- UN/EDIFACT code list D.97A

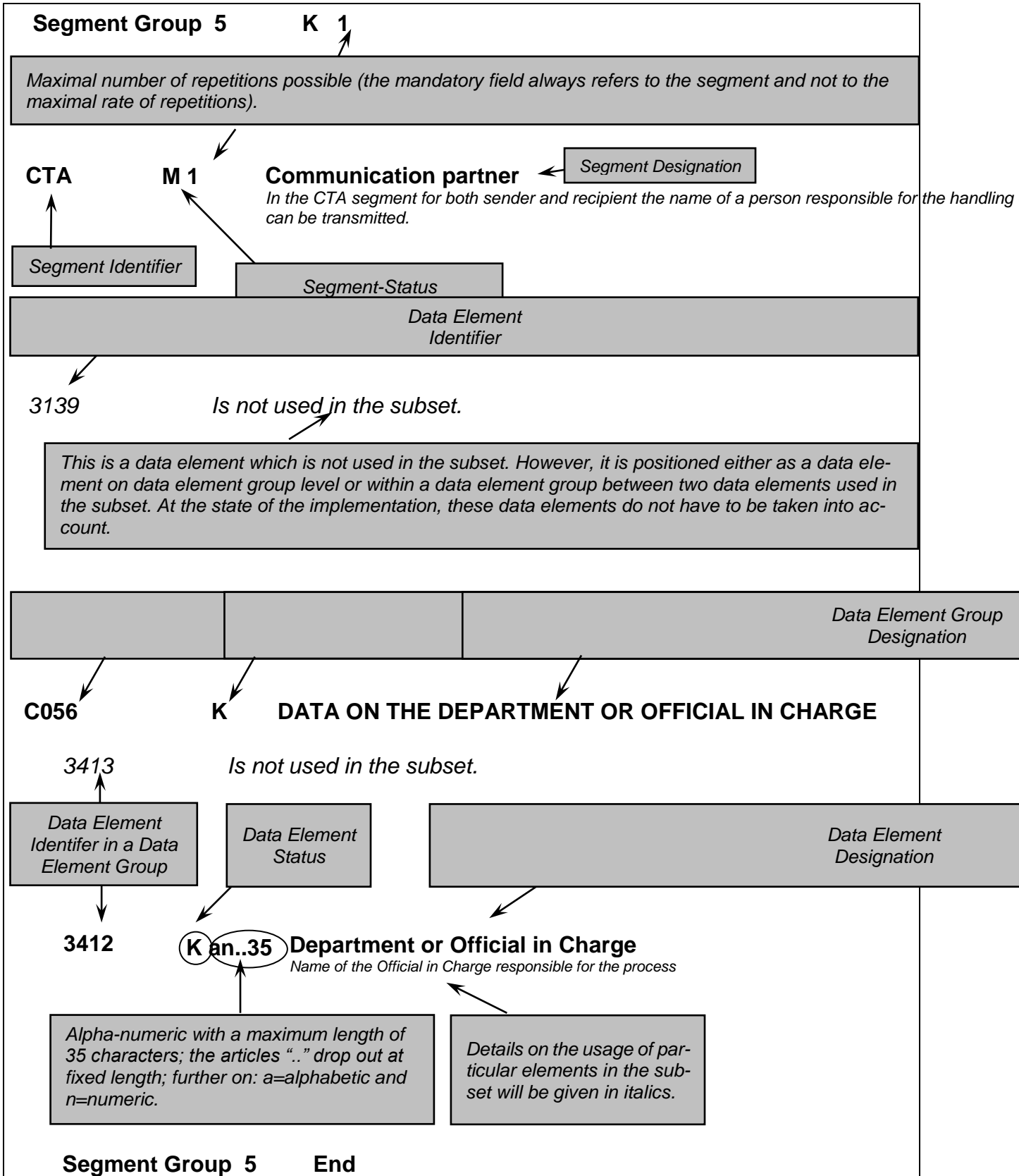
Paderborn, November 2010

With the EDIFACT Subset REMADV, remittance data are transferred from the regulator/federation/wholesale trade to the manufacturer concerned in a quick, safe and economic manner. This subset description and guideline of implementation normalises and standardises the process of electronic remittance data transfer from the regulator/federation/wholesale trade to the industry.

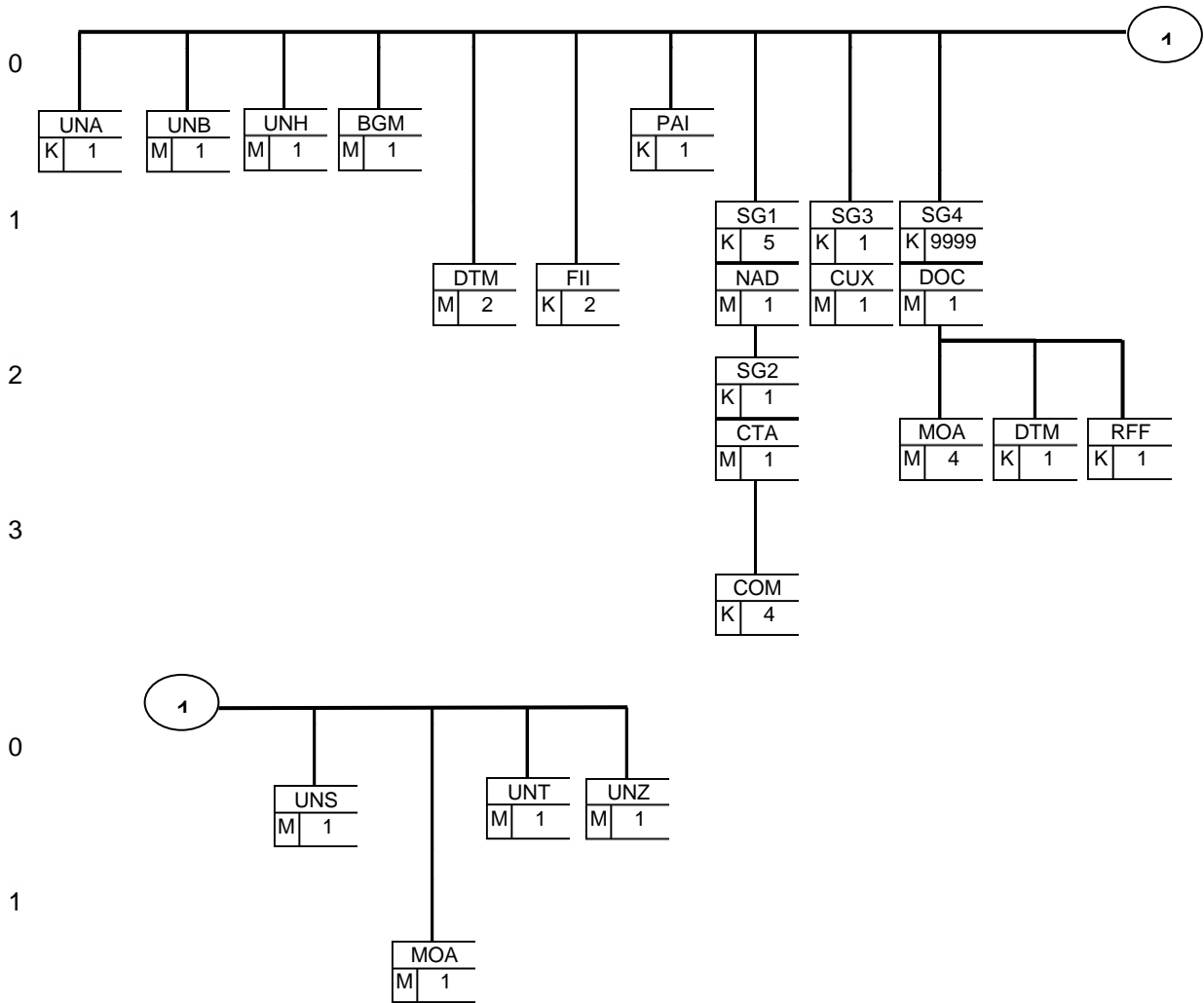
By means of the standardised use of the remittance data on the part of the wholesale trade, and the standardised processing of these data on the part of the industry, the process safety required for both sender and recipient is achieved.

The individual notes on implementation are given at the end of each segment and are marked as such. If you adhere to the guidelines of implementation, you will achieve the standardised processing of your remittance data and gain the safety required for this process. For this reason, the standardised use of remittance data as defined in the guidelines of implementation is mandatory for the standardised processing of your remittances at the suppliers’.

## 2. Instructions for use



### 3. Message Structure Diagram



## 4. History

Alteration date	Segment	Alteration
30/11/2006	FTX / 4451 (Head section of the message)	Inclusion of the entire segment for the transfer of additional information.
10/04/2007	FTX / 4451 (Head section of the message)	Deleted
10/04/2007	SG 6	The entire segment group 6 was included for the transfer of free texts at line item level.
29/09/2008	UNB/S002/0007	Inclusion of qualifier "14" Sender ILN
29/09/2008	UNB/S003/0007	Inclusion of qualifier "14" Recipient ILN

## 5. Message Structure of the Subset

### UNA M 1 Presetting of Separators

*In the UNA segment, separators, decimal marks and release indicators are predefined. It is defined only once and applies to the following messages until it is revoked. Consequently, it won't be transferred furthermore.*

*If needed, value :+,? '*

*: separates data elements in a data element group*

*+ separates segment designations, data element groups and data elements*

*, Decimal marker (comma)*

*? Release indicator, restores the original meaning of the mark that follows the release indicator.*

*Blank space, reserved for later applications*

*' Segment terminator*

<b>UNB</b>	M	1	<b>Usage Data Head Segment</b>
			<i>The UNB segment transfers data concerning syntax, sender/recipient of the interchange file, date and time of its creation, and a data exchange reference. Optionally, a password for the recipient may be included in the transfer as well.</i>
<b>S001</b>	M		<b>SYNTAX DESIGNATOR</b>
<b>0001</b>	M	a4	Syntax Identifier <i>Constant Value:</i>
"UNOC" <i>EDIFACT syntax version C</i>			
<b>0002</b>	M	n1	Syntax Version Number <i>Constant Value:</i>
"3" <i>EDIFACT syntax version 3</i>			
<b>S002</b>	M		<b>SENDER OF THE INTERCHANGE FILE</b>
<b>0004</b>	M	an..35	Sender Designation <i>Sender Identifier (e. g. identification number in Telebox400)</i>
<b>0007</b>	K	an..4	Participant Designation, Qualifier <i>This data element serves the definite specification of the participants. The following codes are available:</i>
"52" <i>Sender IBM/IE User</i> "65" <i>Sender Telebox400 User</i> "ZZZ" <i>Sender (other network operators)</i> "14" <i>Sender ILN</i>			
<b>S003</b>	M		<b>RECIPIENT OF THE INTERCHANGE FILE</b>
<b>0010</b>	M	an..35	Recipient Designation <i>Recipient Identifier (e. g. identification number in Telebox400)</i>
<b>0007</b>	K	an..4	Participant Designation, Qualifier <i>This data element serves the definite specification of the participants. The following codes are available:</i>
"52" <i>Recipient IBM/IE User</i> "65" <i>Recipient Telebox400 User</i> "ZZZ" <i>Recipient (other network operators)</i> "14" <i>Recipient ILN</i>			
<b>S004</b>	M		<b>DATE/TIME OF CREATION</b>



- 0017** M n6 Date of Creation  
*Date of creation of the message by the sender in the format "YYMMDD". (This format is prescribed according to the EDIFACT syntax version 3).*
- 0019** M n4 Time of Creation  
*Format: HHMM*
- 0020** M an..14 DATA EXCHANGE REFERENCE  
*Number for each communication address (X.400, provider, ...) and message/data type, consistently rising in ascending order. The data exchange reference number serves as a plausibility test for the identification of double transmissions and failed transmissions. This task is fulfilled by the converter.*
- S005** K REFERENCE/PASSWORD OF THE RECIPIENT
- 0022** M an..14 Reference or Password of the Recipient  
*A password grants access to the recipient's network or user system. The sender and recipient may agree upon a password bilaterally.*

**UNH** M 1 Message Head Segment

*In the UNH segment, a message is identified unambiguously. The EDITEC subset "Remittance Advice" is based on the message type "REMADV".*

**0062** M an..14 MESSAGE REFERENCE NUMBER

*In each transfer file, every message is consistently numbered in ascending order, beginning with "1". This task is fulfilled by the converter.*

**S009** M MESSAGE IDENTIFIER**0065** M an..6 Message Type Identifier

*Constant Value:*

"REMADV" Remittance Advice
----------------------------

**0052** M an..3 Version Number of the Message Type

*Constant Value:*

"D" Draft Directory
---------------------

**0054** M an..3 Release Number of the Message Type

*Constant Value:*

"96B" UN/EDIFACT Draft Directory D.96B
--

**0051** M an..2 Administrative Organisation, encoded

*Constant Value:*

"UN" United Nations UN/ECE/TRADE/WP.4
---------------------------------------

**0057** K an..6 Operational Code of the Organisation in Charge

*Constant Value:*

"ITEK35"
----------

**BGM** M 1 Beginning of the Message

*In the BGM segment the purpose and name of the message are defined.*

**C002** K DOCUMENT/MESSAGE NAME

**1001** K an..3 Document/Message Name, encoded

*Constant Value:*

<i>"481" Remittance Advice</i>
--------------------------------

**C106** K DOCUMENT/MESSAGE IDENTIFICATION

**1004** K an..35 Document/Message Number

*Number of the Remittance Advice, issued by the sender of the document.*

**1225** K an..3 MESSAGE FUNCTION, ENCODED

*The following codes are available:*

<i>"1"</i>	<i>Cancellation</i>
<i>"9"</i>	<i>Original</i>
<i>"31"</i>	<i>Copy</i>

**DTM** M 2 Date/Time/Period Data

*In the DTM segment the date of the remittance advice has to be transferred. In addition, the settlement period may be transferred.*

**C507** M DATE/TIME/PERIOD DATA**2005** M an..3 Date/Time/Period Data, Qualifier

*The following codes are available:*

<p><i>“137” Date/Time of Remittance Advice</i></p> <p><i>“263” Settlement Period</i></p>
--

**Implementation Note:**

The indication of the settlement period is important and necessary. In Germany, the settlement period should always be sent along under the qualifier “263” and in the format “711” YYYYMMDD-YYYYMMDD.

**2380** K an..35 Date/Time/Period Data

*Date of Remittance Advice/Settlement Period, formatted as indicated in data element 2379.*

**2379** K an..3 Date/Time/Period Data, Format, Qualifier

*The following codes are available:*

<p><i>“102” Format: YYYYMMDD</i></p> <p><i>“711” Format: YYYYMMDD-YYYYMMDD</i> <i>(only if a settlement period has been chosen in DE 2005)</i></p>
--

**FII** K 2 Credit Institution

*In this segment, the bank account of both the paying and the receiving bank/credit institute are indicated.*

**3035** M an..3 PARTICIPANT, QUALIFIER

*The following codes are available:*

<i>"PB"</i>	<i>paying bank</i>
<i>"RB"</i>	<i>receiving bank</i>

**C078** K ACCOUNT DATA

**3194** K an..35 Account Number

**3192** K an..35 Account Holder

**3192** K an..35 Account Holder

**C088** K CREDIT INSTITUTE-IDENTIFICATION

**3433** K an..11 Bank, Identification

1131 K an..3 Code list, Qualifier

*Constant Value:*

<i>"25"</i>	<i>Bank Identification (Bank Identification Number)</i>
-------------	---

**3055** K an..3 Administrative Organisation, encoded

*Constant Value:*

<i>"5"</i>	<i>ISO (International Organisation for Standardisation)</i>
------------	---

**Implementation Note:**

In this segment, the paying and receiving credit institutes have to be transferred with the codes stated above.

**PAI**      **K 1**      **Remittance Data**

*This segment serves to specify the means of remittance.*

**C534**      **M**      **DETAILS OF REMITTANCE**

4439      *Is not used in the subset.*

4431      *Is not used in the subset.*

**4461**      **K an..3**      **Means of remittance, encoded**

*The following codes are available:*

*"20"      Cheque*

*"21"      Bank draft*

*"31"      Transfer of debit advice/Direct debit*

*"42"      Transfer to account*

*"70"      Bill drawn on the debtor by the creditor (commercial bill)*

**Implementation Note:**

Please transfer the means of remittance or the remittance method according to the code list above.

**Segment Group 1 K 5**

*This segment group contains the NAD segment and segment group 2 and serves the indication of the partners involved in the message and their contact persons.*

**NAD M 1 Name and Address**

*In the NAD segment data concerning the identification of the partners involved as well as important address data are transferred.*

**3035 M an..3 PARTNER, QUALIFIER**

*The following codes are available:*

"PE"	Payee
"PR"	Payer
"BY"	Buyer *
"SU"	Supplier *

*\* The codes "BY" (for buyer) and "SU" (for supplier) are only used in case of centralized settlements.*

*Explanation:*

**Code BY**

*The code BY is used to identify buyers of goods and services.*

**Implementation Note:**

If, in case of centralized settlements, the indication of the buyer requires a new exchange file each time, one should abstain from the indication of the buyer.

In this case, the recipient of the remittance or the supplier can identify the buyer via the invoice number in their IT system.

**C082 K IDENTIFICATION OF THE PARTNER****3039 M an..35 Partner Identification Number, encoded**

*In dependence of the qualifier stated above, the identification number of the partner is stated here.*

1131 *Is not used in the subset.*

**3055 K an..3 Administrative Organisation, encoded**

*The following codes are available:*

"9"	EAN (CCG as the German issuer of the ILN numbers)
"ZZZ"	bilaterally agreed upon (customer number or supplier number)

**Segment Group 2 K 1**

*This segment group contains the CTA segment for the indication of a contact person and the COM segment for the indication of a communication link with the contact person.*

**CTA M 1 Communication Partner**

*In the CTA segment the name of the respective official in charge responsible for this message may be transferred for both sender and recipient.*

3139

*IS NOT USED IN THE SUBSET.***C056 K DATA ON THE DEPARTMENT OR THE OFFICIAL IN CHARGE**

3413

*Is not used in the subset.***3412 K an..35 Department or Official in Charge***Name of the official or department in charge.***COM K 4 Communication Link**

*A segment for the indication of the communication number and type of the official in charge or the department referred to in the CTA segment.*

**C076 M COMMUNICATION LINK****3148 M an..512 Communication Number****3155 M an..3 Communication Channel/Service, Qualifier***The following codes are available:*

<i>"AH"</i>	<i>Internet Address (World Wide Web)</i>
<i>"EM"</i>	<i>E-Mail</i>
<i>"FX"</i>	<i>Facsimile</i>
<i>"TE"</i>	<i>Telephone</i>

**Segment Group 2 End****Segment Group 1 End**



**Segment Group 3 K 1**

*This segment group contains the CUX segment and serves the transfer of a reference currency for the complete Remittance Advice.*

**CUX M 1 Currency Data**

*The CUX segment transfers data concerning currency units.*

**C504 K CURRENCY DATA****6347 M an..3 Currency Data, Qualifier**

*Constant Value:*

<i>"2" Reference Currency</i>
-------------------------------

**6345 K an..3 Currency, encoded**

*The most important currency codes according to ISO 4217:*

<i>"DKK"</i>	<i>Danish kroner (crowns)</i>
<i>"EUR"</i>	<i>Euros</i>
<i>"GBP"</i>	<i>British pounds</i>
<i>"CAD"</i>	<i>Canadian dollars</i>
<i>"NOK"</i>	<i>Norwegian kroner (crowns)</i>
<i>"PLZ"</i>	<i>Polish zloty</i>
<i>"SEK"</i>	<i>Swedish krona (crowns)</i>
<i>"CHF"</i>	<i>Swiss francs</i>
<i>"USD"</i>	<i>US dollars</i>

**Segment Group 3 End**

**Segment Group 4 K 9999**

*This segment group contains data concerning the documents which have been transmitted electronically or in printed form. The documents are to be understood according to the message description and may also identify the subsequent processing.*

**DOC M 1 Document/Message Details**

*This segment contains data concerning the documents that the Remittance Advice refers to. The line item section of the Remittance Advice is constituted by repetitions of the DOC segment.*

**C002 M DOCUMENT/MESSAGE NAME****1001 K an..3 Document/Message Name, encoded**

*The following codes are available:*

"83"	Credit advice (Debit Credit Advice)
"325"	Pro forma invoice
"380"	Invoice
"381"	Credit advice
"383"	Debit advice for goods and services
"31e"	Activity credit advice * (EANCOM Code 83)
"32e"	Activity invoice * (EANCOM Code 84)
"33i"	Bonus *

*The codes marked by \* do not adhere to any UN/ EDIFACT code list.*

**Implementation Note:****Code 83 Credit Advice (Debit Credit Advice)**

*This document serves as a credit advice for an unauthorised debit advice/invoice reduction by the wholesale trade.*

**Code 325 Pro forma invoice (payment on account)**

*With this document, payments on account are brought into account. The pro forma invoice is only used in centralized settlements.*

**Code 380 Invoice** *The invoice serves as a request to pay for delivered goods or service activities according to previously arranged conditions.*

**Code 381 Credit Advice** *The credit advice serves the indication of information concerning credit advices of goods and services for the beneficiary.*

**Code 383 Debit advice for goods and services**

*This document indicates a debit to the supplier, such as for defective goods.*

**Code 31e Activity Credit Advice**

*This document transfers credit advice information concerning financial corrections.*

**Code 32e Activity Invoice**

*This document transfers debit information concerning financial corrections.*

**Code 33i Bonus**

*This document transfers separate bonuses.*

**C503**      K            DOCUMENT/MESSAGE DETAILS

**1004**    K an..35    Document/Message Number

*Number of the document referred to in data element 1001.*

**Implementation Note:**

This refers to the numbers of invoices and credit advices transferred by the supplier. It is important for automatic processing that the number transferred by the supplier is transferred one-to-one and without any alteration.

**MOA** M 4 Amount of Money  
*This segment serves the indication of an amount of money.*

**C516** M AMOUNT OF MONEY

**5025** M an..3 Type of Amount of Money, Qualifier  
*The following codes are available:*

"52"	Allowance (discount)
"77"	Invoice amount
"143"	Transfer amount
"265"	Commission amount (del credere commissions)*

*\*Code "265" Commission amount (including taxes) is used only in case of centralized settlements.*

**5004** K n..18 Amount of Money

**DTM** K 1 Date/Time/Period Data  
*Date/Time of the document indicated in the DOC segment.*

**C507** M DATE/TIME/PERIOD DATA

**2005** M an..3 Date/Time/Period Data, Qualifier  
*Constant Value:*

"137"	Document/Message Date/Time
-------	----------------------------

**2380** K an..35 Date/Time/Period Data  
*Date formatted as indicated in data element 2379.*

**2379** K an..3 Date/Time/Period Data, Format, Qualifier  
*Constant Value:*

"102"	Format: YYYYMMDD
-------	------------------

**RFF**      **K 1**      **Reference Data**

*In the RFF segment, the reference number for an additional partner identification may be transferred. This number serves for referencing the customer at row level and is necessary for centralized settlements.*

**C506**      **M**      **REFERENCE DATA****1153**      **M an..3**      **Reference, Qualifier**

*The following code is available:*

<i>"API"</i>	<i>Additional partner identification</i>
--------------	--

*Reference number for an additional partner identification. This may be an internal number, by means of which a partner identifies his trade partners.*

**1154**      **K an..35**      **Reference Number**

*Additional identification number of the buyer at row level.*

**Implementation Note:**

If, in case of centralized settlements, the indication of the buyer requires a new exchange file each time, one should abstain from the indication of the buyer.

In this case, the recipient of the remittance or the supplier can identify the buyer via the invoice number in their IT systems.

**Segment Group 4**      **End**

**Segment group 6**                      **K 1**

**AJT**            **M 1**            **Stating the reason for an alteration**

*This segment serves to indicate the reason for a correction to the current document.*

*The corrections apply to the entire referenced document in the DOC segment.*

**4465**            **M an..3**            **Reason for alteration, coded**

*The following codes are available:*

<b>"1"</b>	<i>Agreed adjustment</i>
<b>"3"</b>	<i>Damaged goods</i>
<b>"4"</b>	<i>Partial delivery</i>
<b>"5"</b>	<i>Price in dispute</i>
<b>"9"</b>	<i>Accounting irregularity</i>
<b>"16"</b>	<i>Goods partially returned</i>
<b>"17"</b>	<i>Damage in transit</i>
<b>"19"</b>	<i>Trade discount</i>
<b>"20"</b>	<i>Deduction for delayed delivery</i>
<b>"32"</b>	<i>Goods not delivered</i>
<b>"57"</b>	<i>Price alteration</i>
<b>"16E"</b>	<i>Discount</i>
<b>"ZZZ"</b>	<i>Bilaterally agreed</i>

*If corrections are made due to national fiscal practices, the according code values have to be assigned by the national numbering organization.*

**MOA**            **K 1**            **Amount of money**

*This segment serves to indicate the corrected amount of money.*

**C516**            **M**            **AMOUNT OF MONEY**

**5025**            **M an..3**            **Type of amount of money, qualifier**

*The following codes are available:*

<b>"5"</b>	<i>Corrected amount</i>
------------	-------------------------

**5004**            **K n..18**            **Amount of money**

**RFF**      K 1      References  
*In the RFF segment the references regarding the corrected amounts can be indicated.*

**C506**      M      REFERENCES

**1153**      M an..3      Reference, qualifier

*The following codes are available:*

<i>"ON"</i>	<i>Order number (customer)</i>
<i>"PL"</i>	<i>Price list number</i>
<i>"PP"</i>	<i>Order alteration number</i>
<i>"POR"</i>	<i>Purchase order response number</i>
<i>"VN"</i>	<i>Order number (supplier)</i>

**1154**      K an..35      Reference number

**FTX**      K 10      Free text  
*In this segment additional information regarding the remittance advice is transferred, such as reduction notes.*

**4451**      M an..3      TEXT, QUALIFIER

*Constant value:*

“AAI”    *General information*

*4453                      IS NOT USED IN THE SUBSET.*

*C107                      IS NOT USED IN THE SUBSET.*

**C108**      K              FREE TEXT

**4440**      M an..70      Free text

**4440**      K an..70      Free text

**4440**      K an..70      Free text

**4440**      K an..70      Free text

**4440**      K an..70      Free text

**Segment group 6              End**



**UNS** M 1 Section Control Segment

*The UNS segment is a service segment and marks the separation of line item- and sum part.*

**0081** M a1 Section Designation, encoded

*Constant Value:*

<b>"S"</b> <i>Separation of line item- and sum part</i>
---

**MOA** M 1 Amount of Money

*This segment serves for the indication of an amount of money.*

**C516** M AMOUNT OF MONEY

**5025** M an..3 Type of Amount of Money, Qualifier

*The following codes are available:*

<i>"128" Full Amount</i>
--------------------------

**5004** K n..18 Amount of Money

---

<b>UNT</b>	M 1	<b>Message End Segment</b>  <i>In the UNT segment, the number of segments and a message reference number are transferred for the purpose of a plausibility verification.</i>
<b>0074</b>	M n..6	<b>MESSAGE REFERENCE NUMBER</b>  <i>Number of segments transferred with this message, including the UNH and UNT segments.</i>
<b>0062</b>	M an..14	<b>MESSAGE REFERENCE NUMBER</b>  <i>Here, the same reference number as in UNH 0062 has to be entered. Upon receipt of message, this number is compared to the entry in the UNH segment.</i>

---

<b>UNZ</b>	M 1	<b>User Data End Segment</b>  <i>In the UNZ segment a data exchange counter and a data exchange reference may be transferred.</i>
<b>0036</b>	M n..6	<b>DATA EXCHANGE COUNTER</b>  <i>Here, the number of messages is entered in the usage data frame UNB...UNZ.</i>
<b>0020</b>	M an..14	<b>DATA EXCHANGE REFERENCE</b>  <i>The same reference number as in UNB 0020 has to be entered here. Upon receipt of message this number is compared to the entry in the UNB segment.</i>

---

## 6. Message Example

UNA:+.? ‘  
UNB+UNOC:3+4399901598867:52+Supplier-DE:52+050401:1129+1+PSWD’  
UNH+1+REMADV:D:96B:UN:ITEK31’  
BGM+481+471103854’  
DTM+137:20050401:102’  
FII+PB+45310987:Mr Paymaster:X+Paying Bank::5’  
FII+RB+65420345:Mme Example:X+Example Bank::5’  
PAI+::42’  
NAD+PE+76453023::ZZZ’  
CTA++:Mme Example’  
COM+www.company-example.de:AH’  
COM+example@company-example.de:EM’  
COM+09847284:TE’  
COM+09847200:FX’  
NAD+PR+4399901598867::9’  
CTA++:Mr Paymaster’  
COM+paymasterHell@customer.net:AH’  
CUX+2:EUR’  
DOC+380+6711029486’  
MOA+143:2000.00’  
DTM+137:20050315:102’  
UNS+S’  
MOA+128:2000.00’  
UNT+32+1’  
UNZ+1+1’