

# **Implementation guidelines**

## **EDIFACT SUBSET**

### **EDITEC**

## **Announcement for returns**



**RETANN / D.07B**

**Version 3.5 / September 2010**

## Table of contents for the “Announcement for returns” subset

1	Introduction .....	3
2	Instructions for use .....	4
3	Message structure diagram .....	5
4	History .....	6
5	Message structure of the subset .....	7
<b>UNA</b>	K 1 Presetting of Separators .....	7
<b>UNB</b>	M 1 Usage Data Head Segment .....	8
<b>UNH</b>	M 1 Message Head Segment.....	10
<b>BGM</b>	M 1 Beginning of the Message .....	11
<b>DTM</b>	K 1 Date/Time/Period Data .....	12
<b>NAD</b>	M 1 Name and Address .....	13
<b>CTA</b>	M 1 Kommunikation partner .....	15
<b>COM</b>	K 4 Communication Link.....	15
<b>LIN</b>	M 1 Line Item Data.....	16
<b>DTM</b>	K 1 Date-/Time-/Period Specifications .....	16
<b>FTX</b>	K 1 Free Text .....	17
<b>QTY</b>	M 1 Quantity .....	18
<b>CDI</b>	M 2 Article Status .....	19
<b>RFF</b>	K 1 Reference Data .....	21
<b>DTM</b>	K 1 Date-/Time-/Period Specifications .....	21
<b>UNT</b>	M 1 Message End Segment .....	22
<b>UNZ</b>	M 1 User Data End Segment.....	22

# 1 Introduction

The present implementation guidelines for the EDIFACT subset regarding the message type “Announcement for returns” was compiled by ITEK on behalf of Arbeitsgemeinschaft Neue Medien der deutschen Sanitärindustrie e.V. and Deutscher Großhandelsverband Haustechnik e.V.

## **ITEK**

Technologiepark 19  
33100 Paderborn

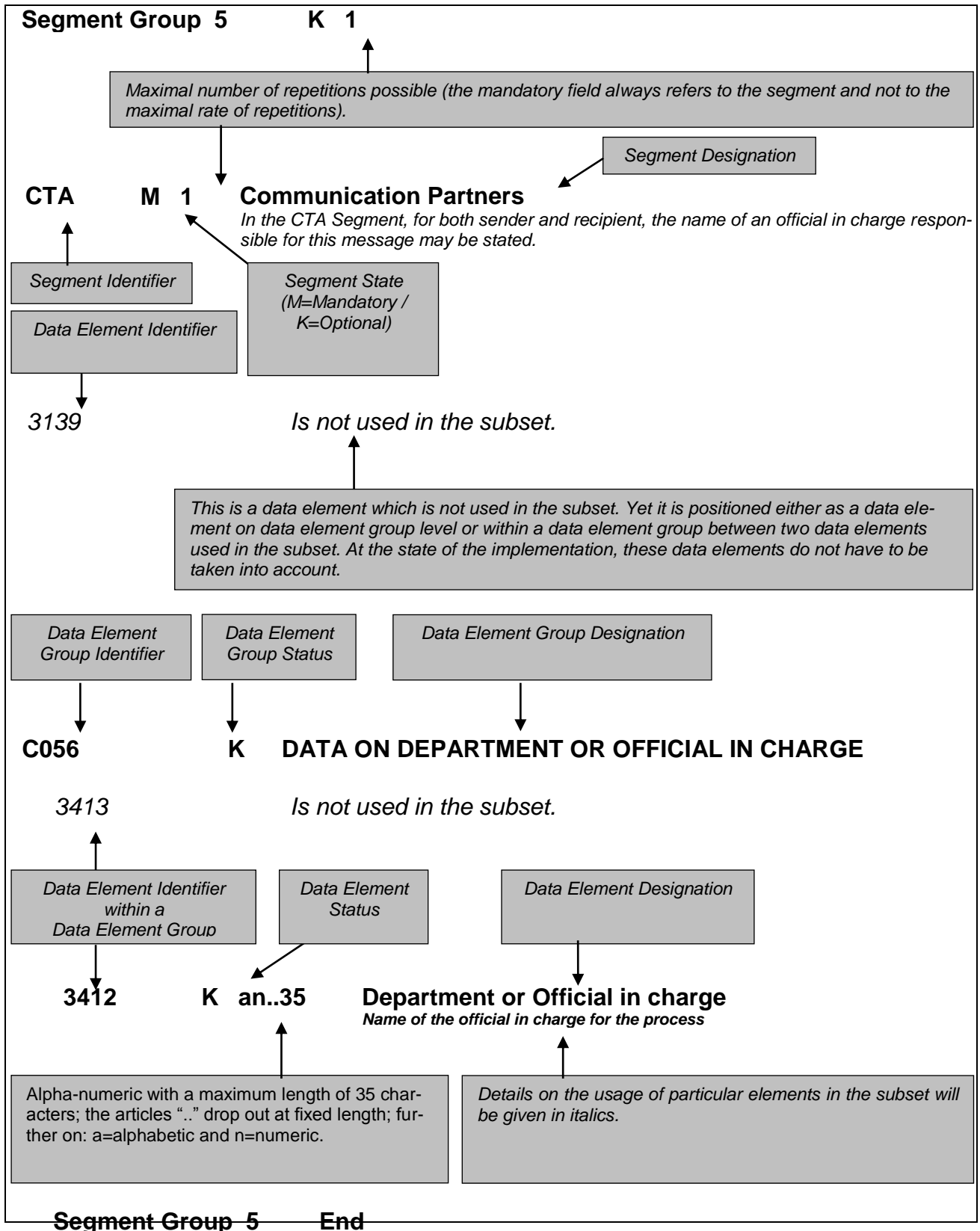
Phone no.: + 49 5251 1614 0  
Fax no.: + 49 5251 1614 99  
E-mail: editec@itekmbh.de

This EDIFACT subset is based on EDIFACT syntax version 3 and the following public documents:

- EDIFACT – Standardised message type “RETANN”
- UN/EDIFACT Directory 96B, UN/ECE/TRADE/WP.4
- EDIFACT Service segments application guidelines, draft DIN 16560 part 1, February 1994
- UN/EDIFACT code list D.97A

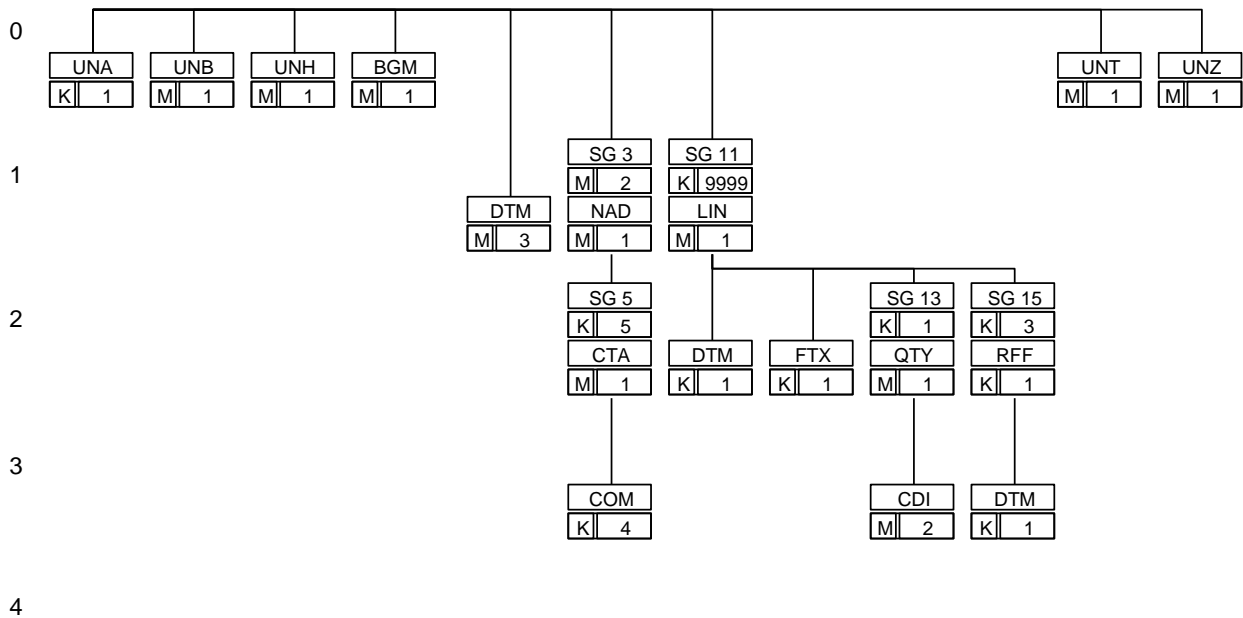
Paderborn, November 2010

## 2 Instructions for use



### 3 Message structure diagram

The following illustration shows the message structure of the “Announcement for returns” subset complete with segment status and maximum repetition frequency.



## 4 History

Alteration date	Segment	Alteration
18/12/2008		Draft version 0.9
12/03/2009		Draft version 0.91
12/03/2009	SG11/LIN	Deletion of the qualifier for the wholesale number Inclusion of the qualifier for the EAN
12/03/2009	SG11/LOC	Segment deleted
12/03/2009	SG11/FTX	Segment added
12/03/2009	SG11/SG15	Segment group with RFF and DTM segments included
04/06/2009		Version 1.0
04/06/2009	SG13/CDI	Code list of reasons for return completed
29/06/2009	SG13/CDI	Code list of reasons for return completed
29/06/2009	SG11	DTM segment included
14/07/2009	SG13/CDI	Repetition frequency altered to 2 Code "60I" Original packaging
01/09/2009		Version increased to 3.4

## 5 Message structure of the subset

### UNA K 1 Presetting of Separators

*In the UNA segment, separators, decimal marks and release indicators are predefined. It is defined only once and applies to the following messages until it is revoked. Consequently, it won't be transferred furthermore.*

*If needed, value :+,? '*

*: separates data elements in a data element group*

*+ separates segment designations, data element groups and data elements*

*, Decimal marker (comma)*

*? Release indicator, restores the original meaning of the mark that follows the release indicator.*

*Blank space, reserved for later applications*

*' Segment terminator*

<b>UNB</b>	M	1	<b>Usage Data Head Segment</b> <i>The UNB segment transfers data concerning syntax, sender/recipient of the interchange file, date and time of its creation, and a data exchange reference. Optionally, a password for the recipient may be included in the transfer as well.</i>								
<b>S001</b>	M		<b>SYNTAX DESIGNATOR</b>								
0001	M	a4	Syntax Identifier <i>Constant Value:</i> <table border="1" data-bbox="477 582 1458 627"> <tr> <td>"UNOC"</td> <td>EDIFACT syntax version C</td> </tr> </table>	"UNOC"	EDIFACT syntax version C						
"UNOC"	EDIFACT syntax version C										
0002	M	n1	Syntax Version Number <i>Constant Value:</i> <table border="1" data-bbox="477 763 1458 808"> <tr> <td>"3"</td> <td>EDIFACT syntax version 3</td> </tr> </table>	"3"	EDIFACT syntax version 3						
"3"	EDIFACT syntax version 3										
<b>S002</b>	M		<b>SENDER OF THE INTERCHANGE FILE</b>								
0004	M	an..35	Sender Designation <i>Sender Identifier (e. g. identification number in Telebox400)</i>								
0007	K	an..4	Participant Designation, Qualifier <i>This data element serves the definite specification of the participants. The following codes are available:</i> <table border="1" data-bbox="477 1207 1458 1393"> <tr> <td>"52"</td> <td>Sender IBM/IE User</td> </tr> <tr> <td>"65"</td> <td>Sender Telebox400 User</td> </tr> <tr> <td>"ZZZ"</td> <td>Sender (other network operators)</td> </tr> <tr> <td>"14"</td> <td>Sender ILN</td> </tr> </table>	"52"	Sender IBM/IE User	"65"	Sender Telebox400 User	"ZZZ"	Sender (other network operators)	"14"	Sender ILN
"52"	Sender IBM/IE User										
"65"	Sender Telebox400 User										
"ZZZ"	Sender (other network operators)										
"14"	Sender ILN										
<b>S003</b>	M		<b>RECIPIENT OF THE INTERCHANGE FILE</b>								
0010	M	an..35	Recipient Designation <i>Recipient Identifier (e. g. identification number in Telebox400)</i>								
0007	K	an..4	Participant Designation, Qualifier <i>This data element serves the definite specification of the participants. The following codes are available:</i> <table border="1" data-bbox="477 1792 1458 1977"> <tr> <td>"52"</td> <td>Recipient IBM/IE User</td> </tr> <tr> <td>"65"</td> <td>Recipient Telebox400 User</td> </tr> <tr> <td>"ZZZ"</td> <td>Recipient (other network operators)</td> </tr> <tr> <td>"14"</td> <td>Recipient ILN</td> </tr> </table>	"52"	Recipient IBM/IE User	"65"	Recipient Telebox400 User	"ZZZ"	Recipient (other network operators)	"14"	Recipient ILN
"52"	Recipient IBM/IE User										
"65"	Recipient Telebox400 User										
"ZZZ"	Recipient (other network operators)										
"14"	Recipient ILN										
<b>S004</b>	M		<b>DATE/TIME OF CREATION</b>								



- 0017** M n6 Date of Creation  
*Date of creation of the message by the sender in the format "YYMMDD". (This format is prescribed according to the EDIFACT syntax version 3).*
- 0019** M n4 Time of Creation  
*Format: HHMM*
- 0020** M an..14 DATA EXCHANGE REFERENCE  
*Number for each communication address (X.400, provider, ...) and message/data type, consistently rising in ascending order. The data exchange reference number serves as a plausibility test for the identification of double transmissions and failed transmissions. This task is fulfilled by the converter.*
- S005** K REFERENCE/PASSWORD OF THE RECIPIENT
- 0022** M an..14 Reference or password of the recipient  
*A password grants access to the recipient's network or user system. The sender and recipient may agree upon a password bilaterally.*

<b>UNH</b>	M 1	<b>Message Head Segment</b> <i>In the UNH segment, a message is identified unambiguously. The EDITEC subset "Announcement for returns" is based on the message type "RETANN".</i>		
<b>0062</b>	M an..14	<b>MESSAGE REFERENCE NUMBER</b> <i>In each transfer file, every message is consistently numbered in ascending order, beginning with "1". This task is fulfilled by the converter.</i>		
<b>S009</b>	M	<b>MESSAGE IDENTIFIER</b>		
<b>0065</b>	M an..6	<b>Message Type Identifier</b> <i>Constant Value:</i> <table border="1" data-bbox="475 801 1460 846"> <tr> <td><i>"RETANN"</i></td> <td><i>Announcement for returns</i></td> </tr> </table>	<i>"RETANN"</i>	<i>Announcement for returns</i>
<i>"RETANN"</i>	<i>Announcement for returns</i>			
<b>0052</b>	M an..3	<b>Version Number of the Message Type</b> <i>Constant Value:</i> <table border="1" data-bbox="475 974 1460 1019"> <tr> <td><i>"D"</i></td> <td><i>Draft Directory</i></td> </tr> </table>	<i>"D"</i>	<i>Draft Directory</i>
<i>"D"</i>	<i>Draft Directory</i>			
<b>0054</b>	M an..3	<b>Release Number of the Message Type</b> <i>Constant Value:</i> <table border="1" data-bbox="475 1146 1460 1191"> <tr> <td><i>"07B"</i></td> <td><i>UN/EDIFACT Draft Directory D.07B</i></td> </tr> </table>	<i>"07B"</i>	<i>UN/EDIFACT Draft Directory D.07B</i>
<i>"07B"</i>	<i>UN/EDIFACT Draft Directory D.07B</i>			
<b>0051</b>	M an..2	<b>Administrative Organisation, encoded</b> <i>Constant Value:</i> <table border="1" data-bbox="475 1319 1460 1364"> <tr> <td><i>"UN"</i></td> <td><i>United Nations UN/ECE/TRADE/WP.4</i></td> </tr> </table>	<i>"UN"</i>	<i>United Nations UN/ECE/TRADE/WP.4</i>
<i>"UN"</i>	<i>United Nations UN/ECE/TRADE/WP.4</i>			
<b>0057</b>	K an..6	<b>Operational Code of the Organisation in Charge</b> <i>Constant Value:</i> <table border="1" data-bbox="475 1491 1460 1536"> <tr> <td><i>"ITEK35"</i></td> </tr> </table>	<i>"ITEK35"</i>	
<i>"ITEK35"</i>				

<b>BGM</b>	M	1	<b>Beginning of the Message</b> <i>In the BGM segment the purpose and name of the message are defined.</i>	
<b>C002</b>	M		<b>DOCUMENT/MESSAGE NAME</b>	
<b>1001</b>	M	an..3	Document/Message Name, encoded <i>The following codes are available:</i> <table border="1" data-bbox="488 524 1449 564"><tr><td><i>"70E" Announcement for returns (GS1 Code)</i></td></tr></table>	<i>"70E" Announcement for returns (GS1 Code)</i>
<i>"70E" Announcement for returns (GS1 Code)</i>				
<b>1131</b>			<i>Is not used in the subset.</i>	
<b>3055</b>	M	an..3	Administrative Organisation, encoded <i>Constant Value:</i> <table border="1" data-bbox="488 757 1449 797"><tr><td><i>"89" Administrative organisation ITEK</i></td></tr></table>	<i>"89" Administrative organisation ITEK</i>
<i>"89" Administrative organisation ITEK</i>				
<b>1000</b>	M	an..35	Document/Message name <i>Denomination of the sales report</i>	
<b>C106</b>	K		<b>DOCUMENT/MESSAGE IDENTIFICATION</b>	
<b>1004</b>	K	an..35	Document/Message number <i>Number of the document, assigned by the sender.</i>	

<b>DTM</b>	K	1	<b>Date/Time/Period Data</b> <i>In the DTM segment the date of the sales report has to be transferred. In addition further data may be transferred.</i>				
<b>C507</b>	M		<b>DATE/TIME/PERIOD DATA</b>				
<b>2005</b>	M	an..3	<b>Date/Time/Period Data, Qualifier</b> <i>The following codes are available:</i> <table border="1" data-bbox="488 524 1449 564"> <tr> <td><i>"137"</i></td> <td><i>Date/Time of message</i></td> </tr> </table>	<i>"137"</i>	<i>Date/Time of message</i>		
<i>"137"</i>	<i>Date/Time of message</i>						
<b>2380</b>	K	an..35	<b>Date/Time/Period Data</b> <i>Date, formatted as indicated in data element 2379.</i>				
<b>2379</b>	K	an..3	<b>Date/Time/Period Data, Format, Qualifier</b> <i>The following codes are available:</i> <table border="1" data-bbox="488 808 1449 889"> <tr> <td><i>"102"</i></td> <td><i>Format: YYYYMMDD</i></td> </tr> <tr> <td><i>"203"</i></td> <td><i>Format: YYYYMMDDHHMM</i></td> </tr> </table>	<i>"102"</i>	<i>Format: YYYYMMDD</i>	<i>"203"</i>	<i>Format: YYYYMMDDHHMM</i>
<i>"102"</i>	<i>Format: YYYYMMDD</i>						
<i>"203"</i>	<i>Format: YYYYMMDDHHMM</i>						

**Segment group 3            M    2**

This segment group contains the NAD segment and segment group 2 and serves the indication of the partners involved in the message and their contact persons.

**NAD            M    1            Name and Address**

*In the NAD segment data concerning the identification of the partners involved as well as important address data are transferred.*

**3035            M    an..3            PARTNER, QUALIFIER**

*The following codes are available:*

"SU"	Supplier/Manufacturer (Industry)
"WS"	Wholesaler

**C082            K                    IDENTIFICATION OF THE PARTNER****3039            M    an..35            Partner Identification Number, encoded**

*In dependence of the qualifier stated above, the identification number of the partner is stated here.*

1131                    *Is not used in the subset.*

**3055            K    an..3            Administrative Organisation, encoded**

*The following codes are available:*

"9"	EAN (CCG as the German issuer of the ILN numbers)
"ZZZ"	bilaterally agreed upon (customer- and supplier numbers)

*C058                    IS NOT USED IN THE SUBSET.*

**C080            K                    NAME OF THE PARTNER**

**3036            M    an..35            Name 1 of the partner**  
*Name 1 of the partner.*

**3036            K    an..35            Name 2 of the partner**  
*Name 2 of the partner.*

**3036            K    an..35            Name 3 of the partner**  
*Name 3 of the partner.*

**C059** K STREET

**3042** M an..35 Street and house number  
*Building name/number and street name*

**3164** K an..35 LOCATION

C819 IS NOT USED IN THE SUBSET.

3229 IS NOT USED IN THE SUBSET.

**3251** K an..9 POSTAL CODE

**3207** K an..3 COUNTRY, ENCODED

*The most important country codes according to ISO 3166 (the postal codes have to be given on the delivery note papers):*

"BE"	Belgium
"BG"	Bulgaria
"DK"	Denmark
"DE"	Germany
"FI"	Finland
"FR"	France
"GR"	Greece
"GB"	Great Britain
"IE"	Ireland
"IT"	Italy
"CA"	Canada
"LU"	Luxembourg
"NL"	Netherlands
"NO"	Norway
"AT"	Austria
"PT"	Portugal
"SE"	Sweden
"CH"	Switzerland
"ES"	Spain
"TR"	Turkey
"US"	USA

**Segment group 5            K    1**

This segment group contains the CTA segment for the indication of a contact person and the COM segment for the indication of a communication link with the contact person.

**CTA**        M    1        **Communication partner**  
*In the CTA segment the name of the respective official in charge responsible for this message may be transferred for both sender and recipient.*

3139                            *IS NOT USED IN THE SUBSET.*

**C056**        K                    **DATA ON THE DEPARTMENT OR THE OFFICIAL IN CHARGE**

3413                            Is not used in the subset.

**3412**        K    an..35    **Department or Official in Charge**  
*Name of the official or department in charge.*

**COM**        K    4        **Communication Link**  
*A segment for the indication of the communication number and type of the official in charge or the department referred to in the CTA segment.*

**C076**        M                    **COMMUNICATION LINK**

**3148**        M    an..512    **Communication Number**

**3155**        M    an..3        **Communication Channel/Service, Qualifier**  
*The following codes are available:*

<i>"AH"</i>	<i>Internet Address (World Wide Web)</i>
<i>"EM"</i>	<i>E-Mail</i>
<i>"FX"</i>	<i>Facsimile</i>
<i>"TE"</i>	<i>Telephone</i>

**Segment group 5            End**

**Segment group 3            End**

**Segment group 11      K    9999****LIN      M    1      Line Item Data**

*In the LIN segment the article number of the article to be returned is transferred following a current serial number.*

**1082      K    n..6      LINE ITEM NUMBER**  
*Current serial line item number.*

1229      *IS NOT USED IN THE SUBSET.*

**C212      M      PRODUCT IDENTIFICATION**

**7140      M    an..35      Goods-/Service Number**  
*Supplier's article number*

**7143      M    an..3      Goods-/Service Number, encoded**  
*The following codes are available:*

"MF"	Manufacturer's article number
"EN"	EAN (European Article Number)

**DTM      K    1      Date-/Time-/Period Specifications**

*This segment is used for transferring date specifications referring to the delivery note or invoice.*

**C507      M      DATE-/TIME-/PERIOD SPECIFICATIONS**

**2005      M    an..3      Date-/Time-/Period Specifications, Qualifier**  
*Constant Value:*

"94"	Year of manufacture
------	---------------------

**2380      K    an..35      Date-/Time-/Period Specifications**  
*Date, formatted as indicated in data element 2379.*

**2379      K    an..3      Date-/Time-/Period Specifications, Format, Qualifier**  
*The following codes are available:*

"102"	YYYYMMDD
"602"	YYYY



**FTX**      K    1      Free Text

*In the FTX segment an additional text referring to the Announcement for Returns may be transferred.*

4451      M    an..3    TEXT, QUALIFIER

*The following codes are available:*

"AAI"      General information
--------------------------------

4453                      *IS NOT USED IN THE SUBSET.*

C107                      *IS NOT USED IN THE SUBSET.*

C108      K              FREE TEXT

4440      M    an..70    Free Text

4440      K    an..70    Free Text

4440      K    an..70    Free Text

4440      K    an..70    Free Text

4440      K    an..70    Free Text

**Segment group 13      K    1****QTY**      M    1      Quantity

*In the QTY segment information regarding the quantity to be delivered and the unit of measurement are transferred.*

**C186**      M              QUANTITY DATA**6063**      M    an..3      Quantity, Qualifier  
*Constant Value:*

<b>"61"</b> <i>Return quantity</i>
------------------------------------

**6060**      M    n..15      Quantity

*Quantity with a maximum of three decimal fractions.*

**6411**      K    an..3      Unit of measurement, Qualifier

*The following codes are available:*

<b>"CMK"</b>	<i>Square centimetre</i>
<b>"CMQ"</b>	<i>Cubic centimetre</i>
<b>"CMT"</b>	<i>Centimetre</i>
<b>"DZN"</b>	<i>Dozen</i>
<b>"GRM"</b>	<i>Gramme</i>
<b>"HLT"</b>	<i>Hectolitre</i>
<b>"KGM"</b>	<i>Kilogramme</i>
<b>"KTM"</b>	<i>Kilometre</i>
<b>"LTR"</b>	<i>Litre</i>
<b>"MMT"</b>	<i>Millimetre</i>
<b>"MTK"</b>	<i>Square metre</i>
<b>"MTQ"</b>	<i>Cubic metre</i>
<b>"MTR"</b>	<i>Metre</i>
<b>"NRL"</b>	<i>Number of Rolls</i>
<b>"PCE"</b>	<i>Piece</i>
<b>"PR"</b>	<i>Pair</i>
<b>"SET"</b>	<i>Set</i>
<b>"TNE"</b>	<i>Tonne</i>

**CDI** M 2 Article Status

*In the CDI segment information regarding the article status are transferred.*

*In the first message the reason for the return (Code 10I to 59I) is indicated. In a second message it is possible to specify whether the article is in its original packaging (Code 60I only).*

**7001** M ARTICLE STATUS QUALIFIER

*Constant Value:*

<b>"3E"</b>	<i>Upon return of goods (GS1 Code)</i>
-------------	--

**C564** M ARTICLE STATUS**7007** M an..3 Article status

*Article status, encoded*

<b>"10I"</b>	<i>Other reasons</i>
<b>"11I"</b>	<i>Wrong delivery</i>
<b>"12I"</b>	<i>Quality complaint</i>
<b>"13I"</b>	<i>Transport damage</i>
<b>"14I"</b>	<i>Quantity difference</i>
<b>"15I"</b>	<i>delivered too late</i>
<b>"16I"</b>	<i>duplicate order</i>
<b>"17I"</b>	<i>wrong order</i>
<b>"18I"</b>	<i>Customer declined acceptance</i>
<b>"19I"</b>	<i>Stock clearance</i>
<b>"20I"</b>	<i>Manufacturing complaint</i>
<b>"21I"</b>	<i>For repair</i>
<b>"22I"</b>	<i>Discontinued article</i>
<b>"23I"</b>	<i>Recall</i>
<b>"24I"</b>	<i>Return contractually agreed</i>
<b>"25I"</b>	<i>Return due to product alterations</i>
<b>"26I"</b>	<i>Return of large objects</i>
<b>"27I"</b>	<i>Customer does not need the goods any more</i>
<b>"28I"</b>	<i>Return without announcement</i>
<b>"29I"</b>	<i>Product does not comply with customer's wishes</i>
<b>"30I"</b>	<i>Item is partly missing</i>
<b>"31I"</b>	<i>Wrong unloading point</i>
<b>"32I"</b>	<i>Over-delivery</i>
<b>"33I"</b>	<i>Loading error (loaded on the wrong truck)</i>
<b>"34I"</b>	<i>Package labels mixed up</i>
<b>"35I"</b>	<i>No loading (goods were left behind)</i>

"36I"	<i>Non-compliance with forwarding instructions</i>
"37I"	<i>Non-compliance with goods receiving hours</i>
"38I"	<i>Adjusting entry without movement of goods</i>
39I"	<i>Receipt cancelled</i>
"40I"	<i>Goods had not been ordered</i>
"41I"	<i>Wrong product delivered</i>
"42I"	<i>Return of goods without reason</i>
"43I"	<i>Late / early loading</i>
"44I"	<i>Return for financial reasons</i>
"45I"	<i>Return of class A goods</i>
"46I"	<i>Return of class C goods</i>
"47I"	<i>Return by customer service technician</i>
"48I"	<i>Surplus of goods at the customer's</i>
"49I"	<i>Without credit note</i>
"50I"	<i>Clearing</i>
"51I"	<i>Faulty goods</i>
"52I"	<i>Other redemptions</i>
"53I"	<i>Damaged goods</i>
"54I"	<i>Damaged packaging</i>
"55I"	<i>Goodwill redemption</i>
"56I"	<i>Duplicate delivery</i>
"57I"	<i>Wrong customer order</i>
"58I"	<i>Order entered incorrectly</i>
"59I"	<i>Recalibration</i>
"60I"	<i>Original packaging</i>

1131 *Is not used in the subset.*

**3055** K an..3 Administrative Organisation, encoded  
*Constant Value:*

"89" <i>Administrative Organisation ITEK</i>
--

**7006** K an..70 Article status description  
*Description of the article status*

**Segment group 13**

**End**

**Segment group 15            K    3****RFF            K    1            Reference Data***This segment is used for indicating references.***C506            M            REFERENCE DATA****1153            M    an..3        Reference, Qualifier***The following codes are available:*

<i>"AAJ"</i>	<i>Delivery note number</i>
<i>"AFL"</i>	<i>Invoice number</i>
<i>"EME"</i>	<i>E-mail</i>
<i>"FAX"</i>	<i>Fax</i>

**1154            K    an..35        Reference Number****DTM            K    1            Date-/Time-/Period Specifications***This segment is used for transferring date specifications referring to the delivery note or invoice.***C507            M            DATE-/TIME-/PERIOD SPECIFICATIONS****2005            M    an..3        Date-/Time-/Period Specifications, Qualifier***Constant Value:*

<i>"243"</i>	<i>Date of the referenced document</i>
--------------	--

**2380            K    an..35        Date-/Time-/Period Specifications***Date, formatted as indicated in data element 2379.***2379            K    an..3        Date-/Time-/Period Specifications, Format, Qualifier***The following codes are available:*

<i>"102"</i>	<i>YYYYMMDD (year, month, day)</i>
<i>"203"</i>	<i>YYYYMMDDHHMM (year, month, day, hour, minute)</i>

**Segment group 15            End****Segment group 11            End**

<b>UNT</b>	M 1	<b>Message End Segment</b> <i>In the UNT segment the number of segments and a message reference number are transferred for the purpose of a plausibility verification.</i>
<b>0074</b>	M n..6	<b>NUMBER OF SEGMENTS IN A MESSAGE</b> <i>Number of segments transferred with this message, including the UNH and UNT segments.</i>
<b>0062</b>	M an..14	<b>MESSAGE REFERENCE NUMBER</b> <i>Here, the same reference number as in UNH / 0062 has to be entered. Upon receipt of message, this number is compared to the entry in the UNH segment.</i>
<b>UNZ</b>	M 1	<b>Usage Data End Segment</b> <i>In the UNZ segment a data exchange counter and a data exchange reference may be transferred.</i>
<b>0036</b>	M n..6	<b>DATA EXCHANGE COUNTER</b> <i>Here, the number of messages is entered in the usage data frame UNB...UNZ.</i>
<b>0020</b>	M an..14	<b>DATA EXCHANGE REFERENCE</b> <i>The same reference number as in UNB / 0020 has to be entered here. Upon receipt of message, this number is compared to the entry in the UNB segment.</i>