

Implementation guidelines

EDIFACT SUBSET

EDITEC

Sales Report



Deutscher Großhandelsverband Haustechnik e.V.

/ARGE

Building digital competence



SLSRPT / D.07B

Version 3.5 / September 2010

Table of contents for the “Sales Report” subset

1	Introduction	3
2	Instructions for use	4
3	Message structure diagram	5
4	History	6
5	Message structure of the subset	7
UNA	K 1 Presetting of Separators	7
UNB	M 1 Usage Data Head Segment	8
UNH	M 1 Message Head Segment.....	10
BGM	M 1 Beginning of the Message	11
DTM	K 3 Date/Time/Period Data	12
NAD	M 1 Name and Address	13
CTA	M 1 Communication partner	15
COM	K 4 Communication Link.....	15
LOC	M 1 Location data.....	16
DTM	K 2 Date-/Time-/Period Specifications	17
LIN	M 1 Line Item Data.....	18
QTY	M 1 Quantity	19
NAD	K 1 Name and Address	20
DTM	K 2 Date-/Time-/Period Specifications	22
RFF	K 2 Reference Data	23
UNT	M 1 Message End Segment	24
UNZ	M 1 Usage Data End Segment.....	24

1 Introduction

The present implementation guidelines for the EDIFACT subset regarding the message type “Sales Report” was compiled by ITEK on behalf of Arbeitsgemeinschaft Neue Medien der deutschen Sanitärindustrie e.V. and Deutscher Großhandelsverband Haustechnik e.V.

ITEK

Technologiepark 19
33100 Paderborn

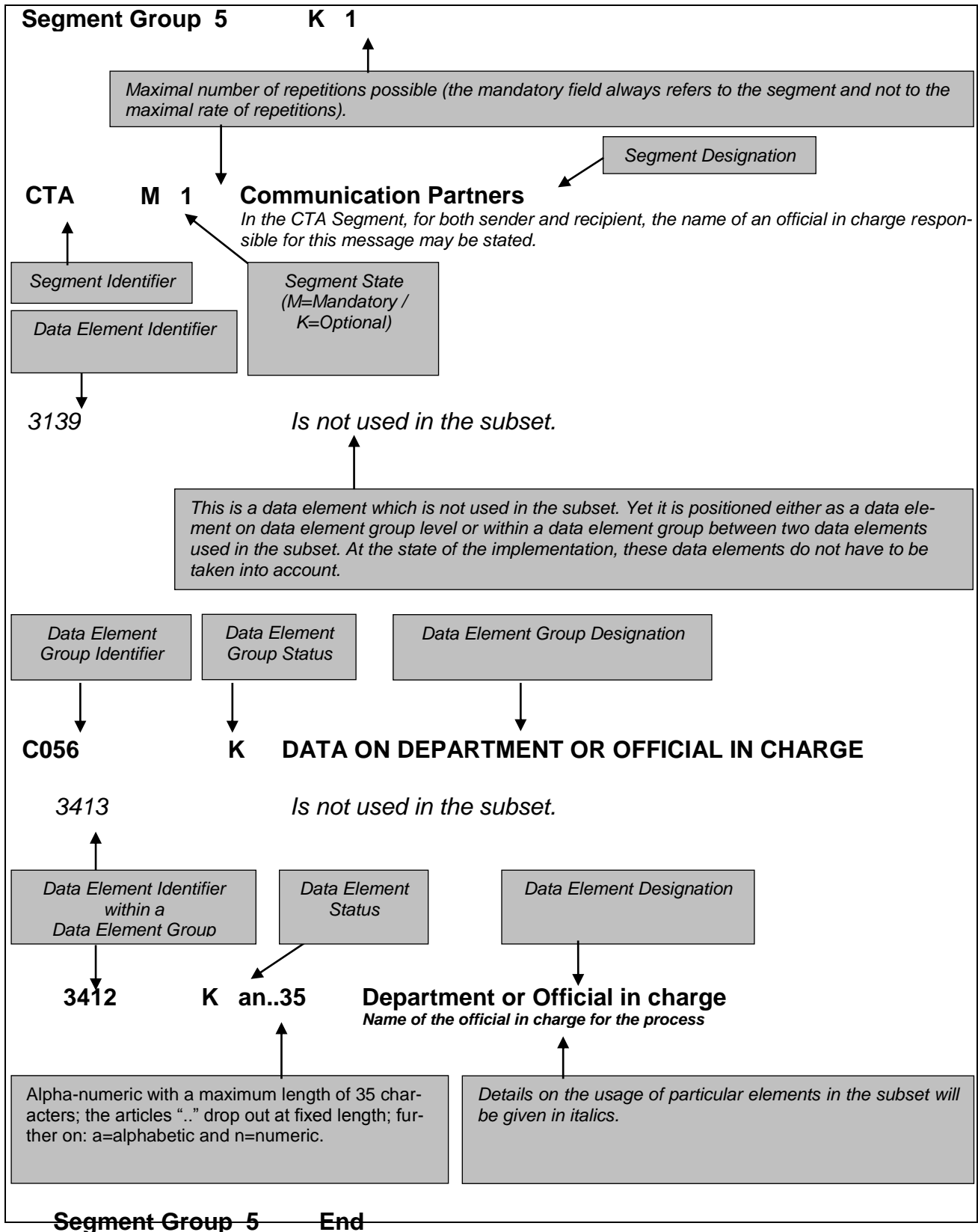
Phone no.: + 49 5251 1614 0
Fax no.: + 49 5251 1614 99
E-mail: editec@itekmbh.de

This EDIFACT subset is based on EDIFACT syntax version 3 and the following public documents:

- EDIFACT – Standardised message type “SLSRPT”
- UN/EDIFACT Directory 96B, UN/ECE/TRADE/WP.4
- EDIFACT Service segments application guidelines, draft DIN 16560 part 1, February 1994
- UN/EDIFACT code list D.97A

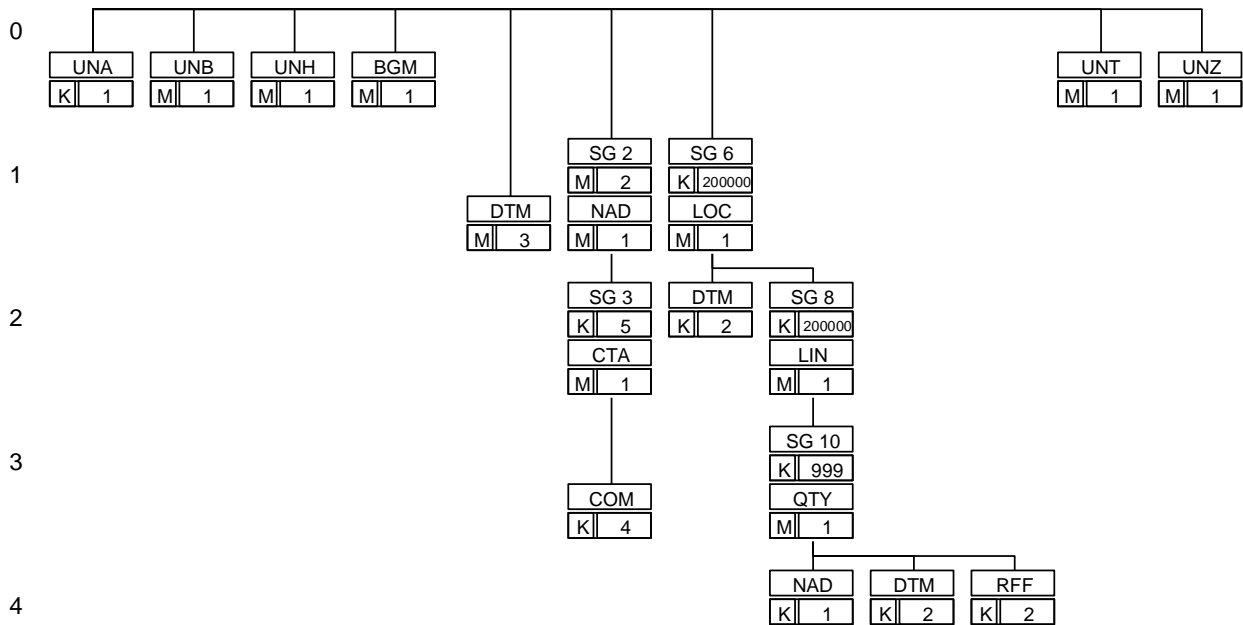
Paderborn, November 2010

2 Instructions for use



3 Message structure diagram

The following illustration shows the message structure of the “Sales Report” subset complete with segment status and maximum repetition frequency.



4 History

Alteration date	Segment	Alteration
18/12/2008		Draft version 0.9
19/05/2009		Draft version 0.91
19/05/2009	SG6 / LOC	Textual amendment: The location has to correspond with the wholesaler of the NAD segment.
01/09/2009		Version increased to 3.4

5 Message structure of the subset

UNA K 1 Presetting of Separators

In the UNA segment, separators, decimal marks and release indicators are predefined. It is defined only once and applies to the following messages until it is revoked. Consequently, it won't be transferred furthermore.

If needed, value :+,? '

: separates data elements in a data element group

+ separates segment designations, data element groups and data elements

, Decimal marker (comma)

? Release indicator, restores the original meaning of the mark that follows the release indicator.

Blank space, reserved for later applications

' Segment terminator

UNB	M 1	Usage Data Head Segment <i>The UNB segment transfers data concerning syntax, sender/recipient of the interchange file, date and time of its creation, and a data exchange reference. Optionally, a password for the recipient may be included in the transfer as well.</i>								
S001	M	SYNTAX DESIGNATOR								
0001	M a4	Syntax Identifier <i>Constant Value:</i> <table border="1" data-bbox="477 607 1460 651"> <tr> <td><i>“UNOC”</i></td> <td><i>EDIFACT syntax version C</i></td> </tr> </table>	<i>“UNOC”</i>	<i>EDIFACT syntax version C</i>						
<i>“UNOC”</i>	<i>EDIFACT syntax version C</i>									
0002	M n1	Syntax Version Number <i>Constant Value:</i> <table border="1" data-bbox="477 779 1460 824"> <tr> <td><i>“3”</i></td> <td><i>EDIFACT syntax version 3</i></td> </tr> </table>	<i>“3”</i>	<i>EDIFACT syntax version 3</i>						
<i>“3”</i>	<i>EDIFACT syntax version 3</i>									
S002	M	SENDER OF THE INTERCHANGE FILE								
0004	M an..35	Sender Designation <i>Sender Identifier (e. g. identification number in Telebox400)</i>								
0007	K an..4	Participant Designation, Qualifier <i>This data element serves the definite specification of the participants. The following codes are available:</i> <table border="1" data-bbox="477 1227 1460 1413"> <tr> <td><i>“52”</i></td> <td><i>Sender IBM/IE User</i></td> </tr> <tr> <td><i>“65”</i></td> <td><i>Sender Telebox400 User</i></td> </tr> <tr> <td><i>“ZZZ”</i></td> <td><i>Sender (other network operators)</i></td> </tr> <tr> <td><i>“14”</i></td> <td><i>Sender ILN</i></td> </tr> </table>	<i>“52”</i>	<i>Sender IBM/IE User</i>	<i>“65”</i>	<i>Sender Telebox400 User</i>	<i>“ZZZ”</i>	<i>Sender (other network operators)</i>	<i>“14”</i>	<i>Sender ILN</i>
<i>“52”</i>	<i>Sender IBM/IE User</i>									
<i>“65”</i>	<i>Sender Telebox400 User</i>									
<i>“ZZZ”</i>	<i>Sender (other network operators)</i>									
<i>“14”</i>	<i>Sender ILN</i>									
S003	M	RECIPIENT OF THE INTERCHANGE FILE								
0010	M an..35	Recipient Designation <i>Recipient Identifier (e. g. identification number in Telebox400)</i>								
0007	K an..4	Participant Designation, Qualifier <i>This data element serves the definite specification of the participants. The following codes are available:</i> <table border="1" data-bbox="477 1816 1460 2002"> <tr> <td><i>“52”</i></td> <td><i>Recipient IBM/IE User</i></td> </tr> <tr> <td><i>“65”</i></td> <td><i>Recipient Telebox400 User</i></td> </tr> <tr> <td><i>“ZZZ”</i></td> <td><i>Recipient (other network operators)</i></td> </tr> <tr> <td><i>“14”</i></td> <td><i>Recipient ILN</i></td> </tr> </table>	<i>“52”</i>	<i>Recipient IBM/IE User</i>	<i>“65”</i>	<i>Recipient Telebox400 User</i>	<i>“ZZZ”</i>	<i>Recipient (other network operators)</i>	<i>“14”</i>	<i>Recipient ILN</i>
<i>“52”</i>	<i>Recipient IBM/IE User</i>									
<i>“65”</i>	<i>Recipient Telebox400 User</i>									
<i>“ZZZ”</i>	<i>Recipient (other network operators)</i>									
<i>“14”</i>	<i>Recipient ILN</i>									

S004	M		DATE/TIME OF CREATION
0017	M	n6	Date of Creation <i>Date of creation of the message by the sender in the format "YYMMDD". (This format is prescribed according to the EDIFACT syntax version 3).</i>
0019	M	n4	Time of Creation <i>Format: HHMM</i>
0020	M	an..14	DATA EXCHANGE REFERENCE <i>Number for each communication address (X.400, provider, ...) and message/data type, consistently rising in ascending order. The data exchange reference number serves as a plausibility test for the identification of double transmissions and failed transmissions. This task is fulfilled by the converter.</i>
S005	K		REFERENCE/PASSWORD OF THE RECIPIENT
0022	M	an..14	Reference or password of the recipient <i>A password grants access to the recipient's network or user system. The sender and recipient may agree upon a password bilaterally.</i>

UNH	M 1	Message Head Segment <i>In the UNH segment, a message is identified unambiguously. The EDITEC subset "Sales Report" is based on the message type "SLSRPT".</i>		
0062	M an..14	MESSAGE REFERENCE NUMBER <i>In each transfer file, every message is consistently numbered in ascending order, beginning with "1". This task is fulfilled by the converter.</i>		
S009	M	MESSAGE IDENTIFIER		
0065	M an..6	Message Type Identifier <i>Constant Value:</i> <table border="1" data-bbox="475 810 1460 857"> <tr> <td>"SLSRPT"</td> <td><i>Sales Report</i></td> </tr> </table>	"SLSRPT"	<i>Sales Report</i>
"SLSRPT"	<i>Sales Report</i>			
0052	M an..3	Version Number of the Message Type <i>Constant Value:</i> <table border="1" data-bbox="475 983 1460 1030"> <tr> <td>"D"</td> <td><i>Draft Directory</i></td> </tr> </table>	"D"	<i>Draft Directory</i>
"D"	<i>Draft Directory</i>			
0054	M an..3	Release Number of the Message Type <i>Constant Value:</i> <table border="1" data-bbox="475 1155 1460 1202"> <tr> <td>"07B"</td> <td><i>UN/EDIFACT Draft Directory D.07B</i></td> </tr> </table>	"07B"	<i>UN/EDIFACT Draft Directory D.07B</i>
"07B"	<i>UN/EDIFACT Draft Directory D.07B</i>			
0051	M an..2	Administrative Organisation, encoded <i>Constant Value:</i> <table border="1" data-bbox="475 1328 1460 1375"> <tr> <td>"UN"</td> <td><i>United Nations UN/ECE/TRADE/WP.4</i></td> </tr> </table>	"UN"	<i>United Nations UN/ECE/TRADE/WP.4</i>
"UN"	<i>United Nations UN/ECE/TRADE/WP.4</i>			
0057	K an..6	Operational Code of the Organisation in Charge <i>Constant Value:</i> <table border="1" data-bbox="475 1500 1460 1547"> <tr> <td>"ITEK35"</td> <td></td> </tr> </table>	"ITEK35"	
"ITEK35"				

BGM	M	1	Beginning of the Message <i>In the BGM segment the purpose and name of the message are defined.</i>
C002	M		DOCUMENT/MESSAGE NAME
1001	M	an..3	Document/Message Name, encoded <i>The following codes are available:</i>
<p><i>"73A" Sales Report Article Sets</i> <i>"73E" Sales Report (GS1 Code)</i></p>			
1131			<i>Is not used in the subset.</i>
3055	M	an..3	Administrative Organisation, encoded <i>Constant Value:</i>
<p><i>"89" Administrative Organisation ITEK</i></p>			
1000	M	an..35	Document/Message Name <i>Denomination of the sales report</i>
C106	K		DOCUMENT/MESSAGE IDENTIFICATION
1004	K	an..35	Document/message number <i>Number of the document, assigned by the sender.</i>
1225	K	an..3	Document type, encoded <i>The following codes are available:</i>
<p><i>"2" Amendment</i> <i>"5" Replacement</i> <i>"9" Original</i></p>			

DTM K 3 Date/Time/Period Data
In the DTM segment the date of the sales report has to be transferred. In addition further data may be transferred.

C507 M DATE/TIME/PERIOD DATA

2005 M an..3 Date/Time/Period Data, Qualifier
The following codes are available:

"90"	<i>Beginning of the reporting period</i>
"91"	<i>End of the reporting period</i>
"137"	<i>Date/Time of message</i>

2380 K an..35 Date/Time/Period Data
Date, formatted as indicated in data element 2379.

2379 K an..3 Date/Time/Period Data, Format, Qualifier
The following codes are available:

"102"	<i>Format: YYYYMMDD</i>
"203"	<i>Format: YYYYMMDDHHMM</i>
"615"	<i>Format: YYWW</i>

Segment group 2 M 2

This segment group contains the NAD segment and segment group 3 and serves the indication of the partners involved in the message and their contact persons.

NAD M 1 Name and Address

In the NAD segment data concerning the identification of the partners involved as well as important address data are transferred.

3035 M an..3 PARTNER, QUALIFIER

The following codes are available:

"SU"	Supplier/Manufacturer (Industry)
"WS"	Wholesaler

C082 K IDENTIFICATION OF THE PARTNER**3039 M an..35 Partner Identification Number, encoded**

In dependence of the qualifier stated above, the identification number of the partner is stated here.

1131 *Is not used in the subset.*

3055 K an..3 Administrative Organisation, encoded

The following codes are available:

"9"	EAN (CCG as the German issuer of the ILN numbers)
"ZZZ"	bilaterally agreed upon (customer- and supplier numbers)

C058 *IS NOT USED IN THE SUBSET.*

C080 K NAME OF THE PARTNER**3036 M an..35 Name 1 of the partner**
*Name 1 of the partner.***3036 K an..35 Name 2 of the partner**
*Name 2 of the partner.***3036 K an..35 Name of the partner**
Name 3 of the partner.

C059 K STREET

3042 M an..35 Street and house number
Building name/number and street name

3164 K an..35 LOCATION

C819 IS NOT USED IN THE SUBSET.

3229 IS NOT USED IN THE SUBSET.

3251 K an..9 POSTAL CODE

3207 K an..3 COUNTRY, ENCODED

The most important country codes according to ISO 3166 (the postal codes have to be given on the delivery note papers):

<i>"BE"</i>	<i>Belgium</i>
<i>"BG"</i>	<i>Bulgaria</i>
<i>"DK"</i>	<i>Denmark</i>
<i>"DE"</i>	<i>Germany</i>
<i>"FI"</i>	<i>Finland</i>
<i>"FR"</i>	<i>France</i>
<i>"GR"</i>	<i>Greece</i>
<i>"GB"</i>	<i>Great Britain</i>
<i>"IE"</i>	<i>Ireland</i>
<i>"IT"</i>	<i>Italy</i>
<i>"CA"</i>	<i>Canada</i>
<i>"LU"</i>	<i>Luxembourg</i>
<i>"NL"</i>	<i>Netherlands</i>
<i>"NO"</i>	<i>Norway</i>
<i>"AT"</i>	<i>Austria</i>
<i>"PT"</i>	<i>Portugal</i>
<i>"SE"</i>	<i>Sweden</i>
<i>"CH"</i>	<i>Switzerland</i>
<i>"ES"</i>	<i>Spain</i>
<i>"TR"</i>	<i>Turkey</i>
<i>"US"</i>	<i>USA</i>

Segment group 3 K 1

This segment group contains the CTA segment for the indication of a contact person and the COM segment for the indication of a communication link with the contact person.

CTA M 1 Communication partner
In the CTA segment the name of the respective official in charge responsible for this message may be transferred for both sender and recipient.

3139 *IS NOT USED IN THE SUBSET.*

C056 K DATA ON THE DEPARTMENT OR THE OFFICIAL IN CHARGE

3413 Is not used in the subset.

3412 K an..35 Department or Official in Charge
Name of the department or the official in charge.

COM K 4 Communication Link
A segment for the indication of the communication number and type of the official in charge or the department referred to in the CTA segment.

C076 M COMMUNICATION LINK

3148 M an..512 Communication Number

3155 M an..3 Communication Channel/Service, Qualifier
The following codes are available:

<i>"AH"</i>	<i>Internet Address (World Wide Web)</i>
<i>"EM"</i>	<i>E-Mail</i>
<i>"FX"</i>	<i>Facsimile</i>
<i>"TE"</i>	<i>Telephone</i>

Segment group 3 End

Segment group 2 End

Segment group 6 K 200000**LOC** M 1 Location data*In the LOC segment the point of sale has to be transferred.***3227** M an..3 LOCATION DATA, QUALIFIER*Constant Value:*

<i>“162” Point of sale</i>

C517 M LOCATION DATA**3225** M an..25 Location*Indication of the point of sale. In any case, this indication corresponds to the wholesaler indicated in the NAD segment.*

1131

*Is not used in the subset.***3055** M an..3 Administrative Organisation, encoded*The following codes are available:*

<i>“ZZZ” bilaterally agreed</i>

3224 K an..70 Location

DTM	K 2	Date-/Time-/Period Specifications <i>In the DTM segment the sales period for the point of sale can be indicated.</i>						
C507	M	DATE-/TIME-/PERIOD SPECIFICATIONS						
2005	M an..3	Date-/Time-/Period Specifications, Qualifier <i>The following codes are available:</i>						
<table border="0"> <tr> <td style="padding-right: 20px;"><i>"90"</i></td> <td><i>Beginning of the reporting period</i></td> </tr> <tr> <td><i>"91"</i></td> <td><i>End of the reporting period</i></td> </tr> </table>			<i>"90"</i>	<i>Beginning of the reporting period</i>	<i>"91"</i>	<i>End of the reporting period</i>		
<i>"90"</i>	<i>Beginning of the reporting period</i>							
<i>"91"</i>	<i>End of the reporting period</i>							
2380	K an..35	Date-/Time-/Period Specifications <i>Date, formatted as indicated in data element 2379.</i>						
2379	K an..3	Date-/Time-/Period Specifications, Format, Qualifier <i>The following codes are available:</i>						
<table border="0"> <tr> <td style="padding-right: 20px;"><i>"102"</i></td> <td><i>Format: YYYYMMDD</i></td> </tr> <tr> <td><i>"203"</i></td> <td><i>Format: YYYYMMDDHHMM</i></td> </tr> <tr> <td><i>"615"</i></td> <td><i>Format: YYWW</i></td> </tr> </table>			<i>"102"</i>	<i>Format: YYYYMMDD</i>	<i>"203"</i>	<i>Format: YYYYMMDDHHMM</i>	<i>"615"</i>	<i>Format: YYWW</i>
<i>"102"</i>	<i>Format: YYYYMMDD</i>							
<i>"203"</i>	<i>Format: YYYYMMDDHHMM</i>							
<i>"615"</i>	<i>Format: YYWW</i>							

Segment group 10 K 999

QTY M 1 Quantity
In the QTY segment information regarding the quantity delivered and the unit of measurement are transferred.

C186 M QUANTITY DATA

6063 M an..3 Quantity, Qualifier
Constant Value:

<i>"153" Sales volume</i>

6060 M n..15 Quantity
Quantity with a maximum of three decimal fractions.

6411 K an..3 Unit of measurement, Qualifier
The following codes are available:

<i>"CMK"</i>	<i>Square centimetre</i>
<i>"CMQ"</i>	<i>Cubic centimetre</i>
<i>"CMT"</i>	<i>Centimetre</i>
<i>"DZN"</i>	<i>Dozen</i>
<i>"GRM"</i>	<i>Gramme</i>
<i>"HLT"</i>	<i>Hectolitre</i>
<i>"KGM"</i>	<i>Kilogramme</i>
<i>"KTM"</i>	<i>Kilometre</i>
<i>"LTR"</i>	<i>Litre</i>
<i>"MMT"</i>	<i>Millimetre</i>
<i>"MTK"</i>	<i>Square metre</i>
<i>"MTQ"</i>	<i>Cubic metre</i>
<i>"MTR"</i>	<i>Metre</i>
<i>"NRL"</i>	<i>Number of Rolls</i>
<i>"PCE"</i>	<i>Piece</i>
<i>"PR"</i>	<i>Pair</i>
<i>"SET"</i>	<i>Set</i>
<i>"TNE"</i>	<i>Tonne</i>

NAD	K	1	Name and Address <i>In the NAD segment data concerning the identification of the partners involved as well as important address data are transferred.</i>
3035	M	an..3	PARTNER, QUALIFIER <i>The following codes are available:</i>
			"BY" <i>Buyer</i>
C082	K		IDENTIFICATION OF THE PARTNER
3039	K	an..35	Partner Identification Number, encoded <i>In dependence of the qualifier stated above, the identification number of the partner is stated here.</i>
1131			<i>Is not used in the subset.</i>
3055			<i>Is not used in the subset.</i>
C058			IS NOT USED IN THE SUBSET.
C080	K		NAME OF THE PARTNER
3036	M	an..35	Name 1 of the partner <i>Name 1 of the partner.</i>
3036	K	an..35	Name 2 of the partner <i>Name 2 of the partner.</i>
3036	K	an..35	Name of the partner <i>Name 3 of the partner.</i>
C059	K		STREET
3042	M	an..35	Street and house number <i>Building name/number and street name</i>
3164	K	an..35	LOCATION
C819			IS NOT USED IN THE SUBSET.
3251	K	an..9	POSTAL CODE

3207 K an..3 COUNTRY, ENCODED

The most important country codes according to ISO 3166 (the postal codes have to be given on the delivery note papers):

<i>"BE"</i>	<i>Belgium</i>
<i>"BG"</i>	<i>Bulgaria</i>
<i>"DK"</i>	<i>Denmark</i>
<i>"DE"</i>	<i>Germany</i>
<i>"FI"</i>	<i>Finland</i>
<i>"FR"</i>	<i>France</i>
<i>"GR"</i>	<i>Greece</i>
<i>"GB"</i>	<i>Great Britain</i>
<i>"IE"</i>	<i>Ireland</i>
<i>"IT"</i>	<i>Italy</i>
<i>"CA "</i>	<i>Canada</i>
<i>"LU"</i>	<i>Luxembourg</i>
<i>"NL "</i>	<i>Netherlands</i>
<i>"NO"</i>	<i>Norway</i>
<i>"AT"</i>	<i>Austria</i>
<i>"PT"</i>	<i>Portugal</i>
<i>"SE"</i>	<i>Sweden</i>
<i>"CH"</i>	<i>Switzerland</i>
<i>"ES"</i>	<i>Spain</i>
<i>"TR"</i>	<i>Turkey</i>
<i>"US"</i>	<i>USA</i>

DTM	K 2	Date-/Time-/Period Specifications <i>This segment is used for transferring date specifications referring to the delivery note or invoice.</i>				
C507	M	DATE-/TIME-/PERIOD SPECIFICATIONS				
2005	M an..3	Date-/Time-/Period Specifications, Qualifier <i>Constant Value:</i>				
<table border="0"> <tr> <td style="padding-right: 20px;">"22"</td> <td><i>Delivery note date</i></td> </tr> <tr> <td>"149"</td> <td><i>Invoice date</i></td> </tr> </table>			"22"	<i>Delivery note date</i>	"149"	<i>Invoice date</i>
"22"	<i>Delivery note date</i>					
"149"	<i>Invoice date</i>					
2380	K an..35	Date-/Time-/Period Specifications <i>Date, formatted as indicated in data element 2379.</i>				
2379	K an..3	Date-/Time-/Period Specifications, Format, Qualifier <i>The following codes are available:</i>				
<table border="0"> <tr> <td style="padding-right: 20px;">"102"</td> <td><i>YYYYMMDD (year, month, day)</i></td> </tr> <tr> <td>"203"</td> <td><i>YYYYMMDDHHMM (year, month, day, hour, minute)</i></td> </tr> </table>			"102"	<i>YYYYMMDD (year, month, day)</i>	"203"	<i>YYYYMMDDHHMM (year, month, day, hour, minute)</i>
"102"	<i>YYYYMMDD (year, month, day)</i>					
"203"	<i>YYYYMMDDHHMM (year, month, day, hour, minute)</i>					

RFF K 2 Reference Data
This segment is used for indicating references

C506 M REFERENCE DATA

1153 M an..3 Reference, Qualifier
The following codes are available:

<i>"AAJ" Delivery note number</i>
<i>"AFL" Invoice number</i>

1154 K an..35 Reference Number

Segment group 10 **End**

Segment group 8 **End**

Segment group 6 **End**

UNT	M 1	Message End Segment <i>In the UNT segment the number of segments and a message reference number are transferred for the purpose of a plausibility verification.</i>
0074	M n..6	NUMBER OF SEGMENTS IN A MESSAGE <i>Number of segments transferred with this message, including the UNH and UNT segments.</i>
0062	M an..14	MESSAGE REFERENCE NUMBER <i>Here, the same reference number as in UNH / 0062 has to be entered. Upon receipt of message, this number is compared to the entry in the UNH segment.</i>
UNZ	M 1	Usage Data End Segment <i>In the UNZ segment a data exchange counter and a data exchange reference may be transferred.</i>
0036	M n..6	DATA EXCHANGE COUNTER <i>Here, the number of messages is entered in the usage data frame UNB...UNZ.</i>
0020	M an..14	DATA EXCHANGE REFERENCE <i>The same reference number as in UNB / 0020 has to be entered here. Upon receipt of message, this number is compared to the entry in the UNB segment.</i>